

Table of contents

| | | Page |
|--------------------------------------|------------------------|------|
| Safety notes / Technical support | | G2 |
| ----- | | |
| Introduction | | G3 |
| ----- | | |
| Dimensions | | G4 |
| ----- | | |
| Technical data | Electrical Data | G8 |
| | Mechanical Data | G9 |
| | Operating conditions | G10 |
| | Approvals | G10 |
| | Sensor weight guide | G11 |
| ----- | | |
| Options / Accessories | | G12 |
| ----- | | |
| Mounting | | G14 |
| ----- | | |
| Electrical installation | NB 3000 Nivobob | G16 |
| | NB 9000 Remote Box | G20 |
| ----- | | |
| Signal overview | | G22 |
| ----- | | |
| Programming NB 3000 Nivobob | Quickset menu | G24 |
| | Output adjustment menu | G26 |
| | Diagnostics menu | G29 |
| | Communication menu | G31 |
| ----- | | |
| Programming NB 9000 Remote Box | | G32 |
| ----- | | |
| Commissioning | Interface measurement | G34 |
| ----- | | |
| Diagnostics | Maintenance | G35 |
| | Failure | G37 |
| ----- | | |
| Notes for use in Hazardous Locations | | G38 |

Subject to technical change.
 All dimensions in mm (inches).

All units in this information are CE-certified.

We assume no liability for typing errors.
 Different variations to those specified are possible.
 Please contact our technical consultants.

Safety notes / Technical support

Notes

- Installation, maintenance and commissioning must be carried out only by qualified technical personnel.
- The product must be used only in the manner outlined in this instruction manual.

Special attention must be paid to warnings and notes as follows:



WARNING

Relates to a caution symbol on the product and means, that a failure to observe the necessary precautions can result in death, serious injury and/or considerable material damage.



WARNING


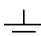

Relates to a caution symbol on the product and means, that a failure to observe the necessary precautions can result in death, serious injury and/or considerable material damage.

This symbol is used, when there is no corresponding caution symbol on the product.

CAUTION

A failure to observe the necessary precautions can result in considerable material damage.

Safety symbols

| In manual and on product | Description |
|---|---|
|  | CAUTION: refer to related documents (manual) for details. |
|  | Earth (ground) Terminal |
|  | Protective Conductor Terminal |

Technical support

Please contact your local supplier (see www.uwt.de for address). Otherwise you can contact:

UWT GmbH
 Westendstr. 5
 87488 Betzigau
 Germany

Tel. 0049 (0)831 57123-0
 Fax. 0049 (0)831 76879
info@uwt.de
www.uwt.de

Introduction

The Nivobob® NB 3000 is an electromechanic level measuring instrument for continuous measuring of level or volumes in silos, hoppers or tanks.

Applications

- Powder, granulate, small or coarse bulk goods
- Interface measurement (solids in water)

Applicable for industries such as

- Chemistry
- Food
- Cement
- Mining
- Plastics
- others

Features

Process

- Suitable for most types of bulk goods
- Independent of bulk material properties, such as:
 - Dielectricity and conductivity of the bulk good
 - Dusty atmosphere in the silo
 - Changing humidity inside the product
 - Products that tend to stick
- No mechanical load on the silo roof, the sensor weight just touches the surface of the material
- Very accurate measurement

Service

- Simple installation and commissioning
- Measurement principle easy to understand
- Rope, tape and (optional) motor with increased service life
- Low maintenance

Approvals

- Approval for use in Hazardous Locations
ATEX II 1/2 D (zone 20/21) and FM Class. II, III Div.1 Gr. E–G

Mechanic

- Measurement range upto 40m (133ft)
- 1 1/2" process connection possible
- Different sensor weights, suitable for every application
- Internal tape cleaner for difficult materials
- Window in lid and external start button (optional)
- Robust cast housing, ingress protection IP66

Electronic

- Micro processor controlled measurement
- Remote Box for external programming, display of level and diagnose, start of measurement of up to 10 Nivobob units
- Comprehensive Diagnose possibilities
- Output 0/4–20mA / Modbus / Profibus DP / counting pulses
- Programmable relays (can be used as level limit switch outputs)
- Measurement start with external signal or integrated timer

Function

The Nivobob® NB 3000 is mounted on the top of the silo. A sensor weight is driven down into the silo. It is mounted at the end of a rope or tape which is wound on a motor driven roller. Upon contact with bulk material, the motor changes the winding direction and the sensor weight is driven back to the upper stop position.

During downwards movement of the sensor weight the distance is electronically measured by the rotations of the internal rope / tape roller. The microcontroller converts the measured distance into an output signal, which is a volumetric signal based on the silo geometry. The output signal is updated, when the sensor weight touches the bulk material.

Diagnostics

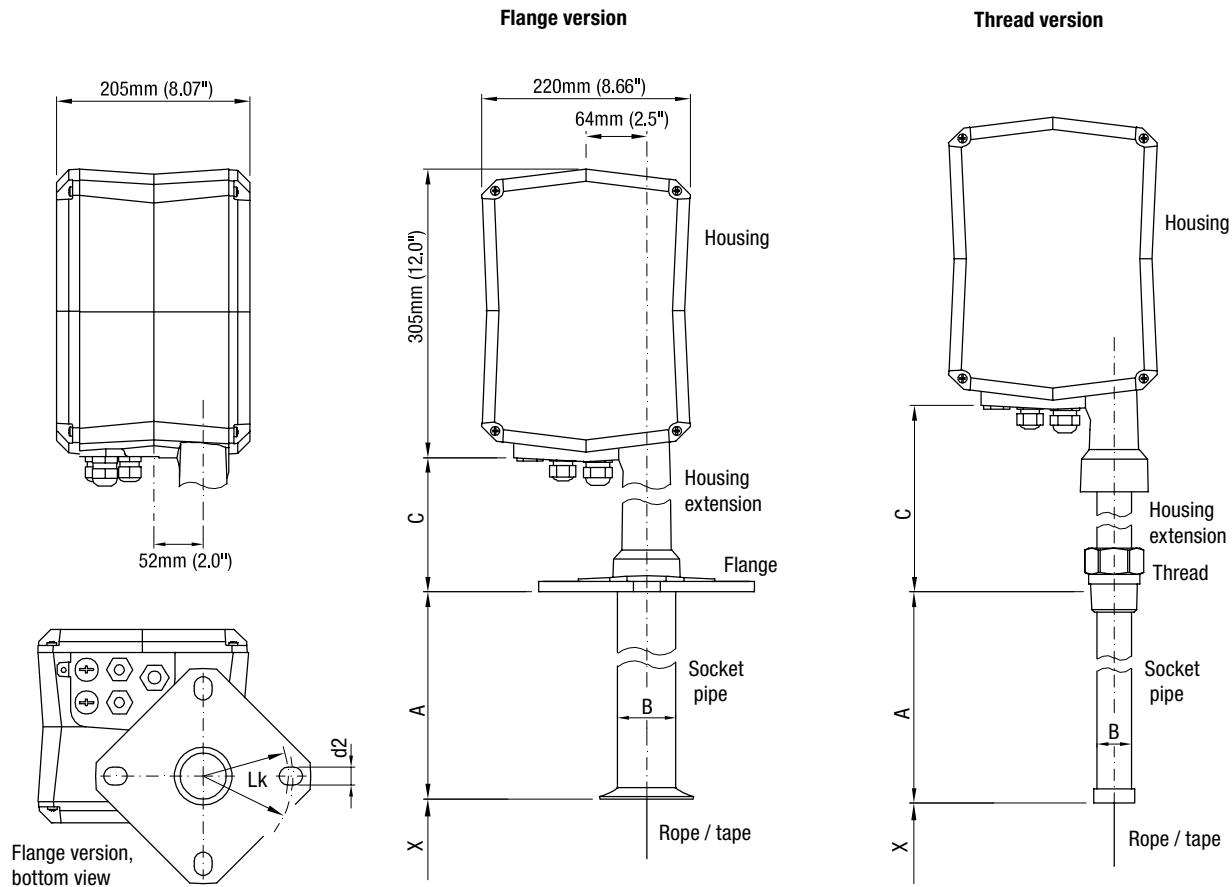
Comprehensive diagnostics possibilities are present:

- Measurement control is done by comparing the moved distance between up and downward movement and checking for discrepancy. In case of discrepancy, the sensor weight is pulled to the upper stop position to ensure, that the sensor weight is not inside the silo.
- Service interval after a certain amount of measurements and running time.
- Internal control of motor, motor driver electronic and smooth movement of rope / tape rollers.

Diagnostics is in accordance with NAMUR recommendation NE107.

Dimensions

Basic type



Dimensions

| |
|---|
| X = Length to bottom of sensor weight (in upper stop position): see next page |
|---|

| |
|---|
| A = Length of socket pipe |
| 200mm (7.9") Optional 500mm (19.7") / 1000mm (39.4") |

| | |
|-------------------------------------|---------------|
| B = Diameter of socket pipe | |
| Rope version with Flange DN100 / 4" | ø60mm (2.36") |
| All other versions | ø40mm (1.57") |

| | | |
|------------------------------|--------------|---------------|
| C = Housing extension | | |
| Flange version | 80°C / 150°C | 95mm (3.74") |
| | 250°C | 340mm (13.4") |
| Thread version | 80°C / 150°C | 160mm (6.3") |
| | 250°C | 340mm (13.4") |

| | |
|-------------|------------------------|
| Rope | ø1,25mm (0.49") |
| Tape | 12x0.2mm (0.47x0.008") |

| Flanges | |
|---------------------------------------|--|
| fitting to: DN100 PN16 / 4" 150lbs | Lk = ø90 .. 95.3mm (3.54 .. 3.75") slot d2 = ø19mm (0.75") |
| fitting to: 2" / 3" 150lbs | Lk = ø60.4 .. 76.2mm (2.38 .. 3.0") slot d2 = ø19mm (0.75") |

Materials

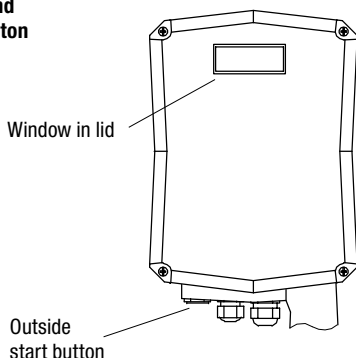
| | |
|--------------------------|--|
| Housing outside | Aluminium, powder coated |
| Housing inside | Aluminium |
| Housing extension | Aluminium, powder coated or 1.4305 (303) |
| Flange | 80°C / 150°C: Aluminium, powder coated 250°C: 1.4305 (303) |
| Thread | 1.4301 (304) |
| Socket pipe | Flange version 80°C / 150°C: Aluminium All other versions: 1.4301 (304) |
| Rope | 1.4301 (304) |
| Tape | 1.4310 (301) |

With option "Increased corrosion resistance":
 All metal parts in contact with the process are coated.
 The rope is plastic coated with PA.
 The internal bearings are made of stainless steel.

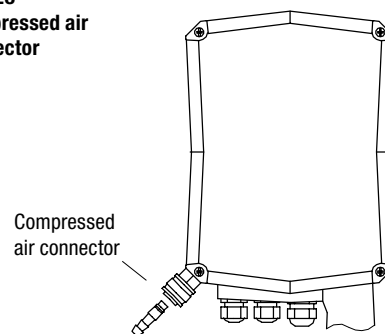
Dimensions

Options and Accessories

Pos. 25
 Window in lid and
 outside start button



Pos. 28
 Compressed air
 connector

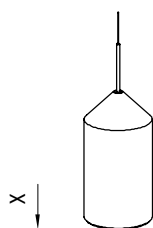


Sensor weights

Solids measurement: Rope version

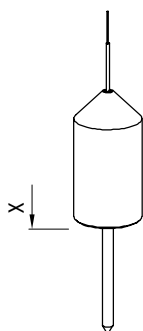
All weights ca. 1,0kg (2.2lbs)

PVC without pin



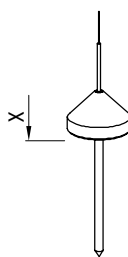
Ø81mm (3,2")
 X = 137mm (5.4")
 Material: PVC

PVC with pin

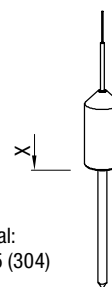


Ø81mm (3,2")
 X = 137mm (5.4")
 Pin: 130mm (5.1")
 Material: PVC (pin POM)

Stainless steel



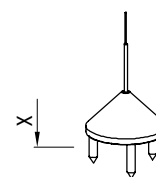
Version with
 Flange DN100 / 4"
 Ø75mm (3.0")
 X = 25mm (1.0")
 Pin: 130mm (5.1")



Material:
 1.4305 (304)

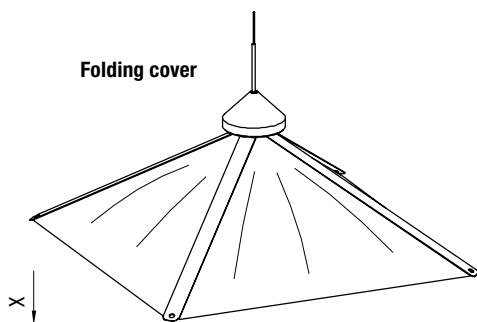
All other versions
 Ø42mm (Ø 1.65")
 X = 81mm (3.19")
 Pin: 130mm (5.1")

Claw



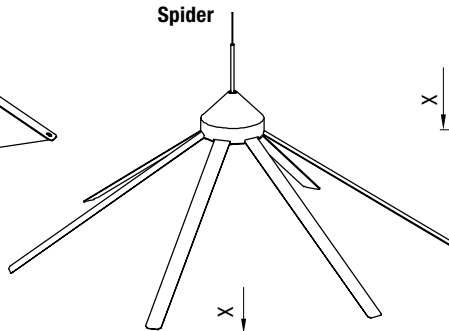
Ø95 (3.7")
 X = 71mm (2.80")
 Material: 1.4305 (304)

Folding cover



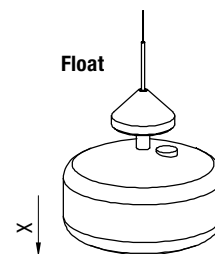
380x380mm (15x15")
 X = 150mm (5.9")
 Material: 1.4310 (301)
 PA canvas

Spider



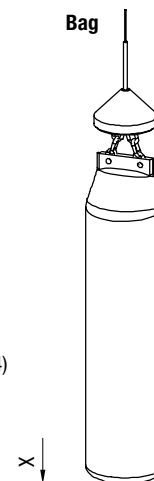
Ø600mm (23.6")
 X = 160mm (6.3")
 Material: 1.4301 (304) /
 1.4310 (301)

Float



Ø190mm (7.5")
 X = 175mm (6.9")
 Material: Float PP,
 Cone: 1.4305 (304)

Bag

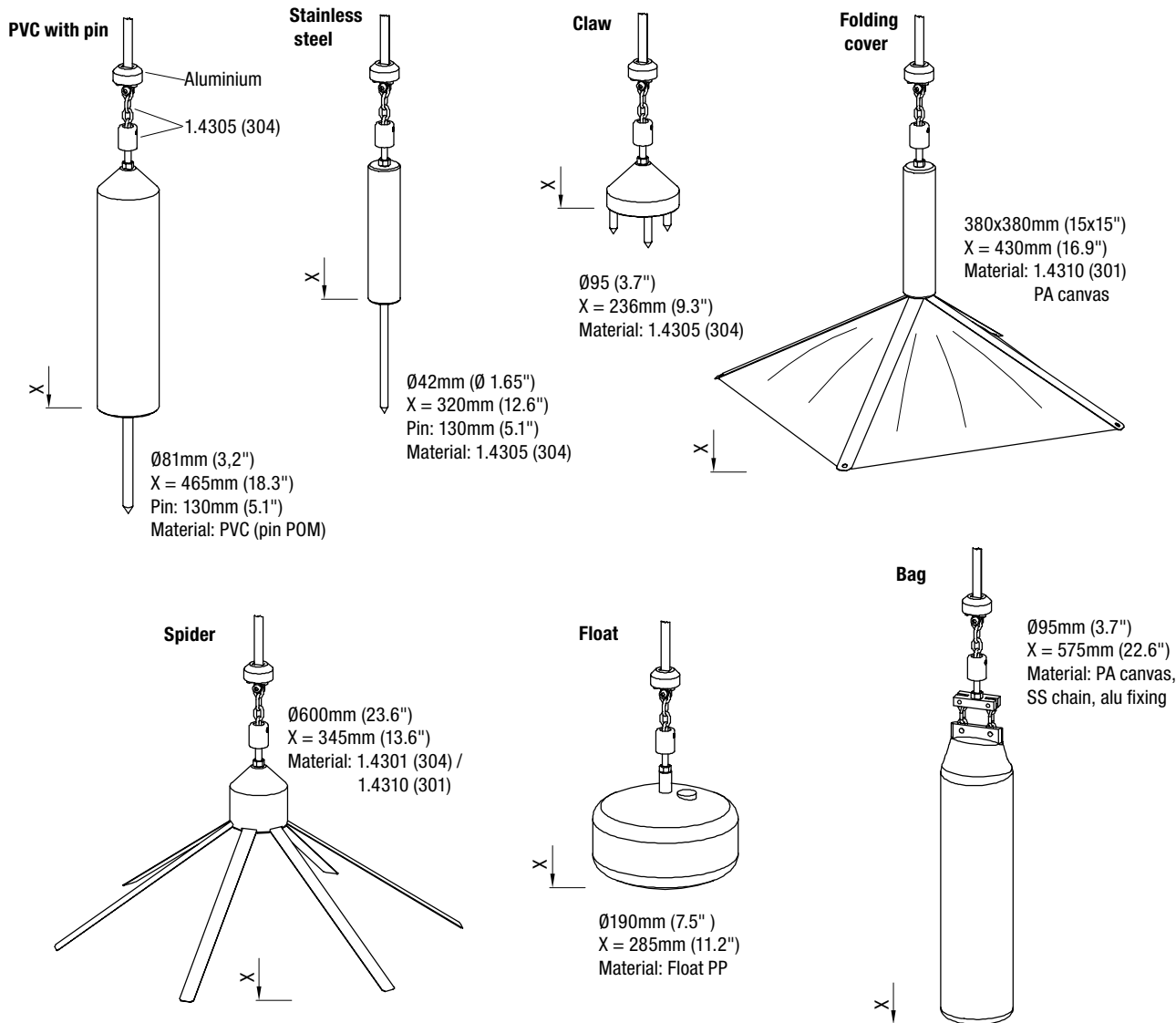


Ø95mm (3.7")
 X = 460mm (18.1")
 Material: PA canvas,
 SS chain, alu cone

Dimensions

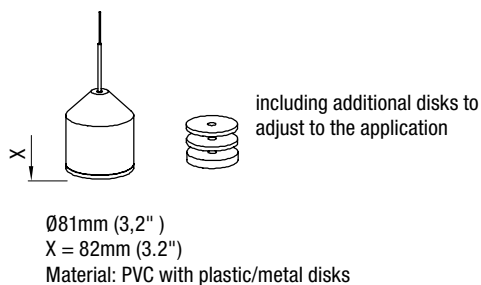
Solids measurement: Tape version

All weights ca. 2.1kg (4.6lbs)



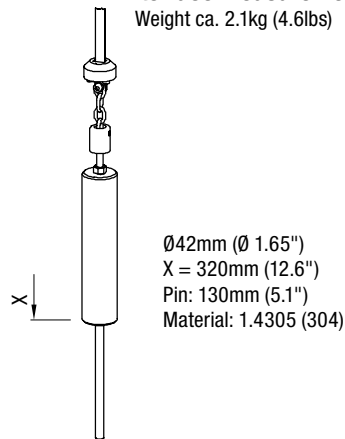
Interface measurement: Rope version

Weight ca. 1,0kg (2.2lbs)



Interface measurement: Tape version

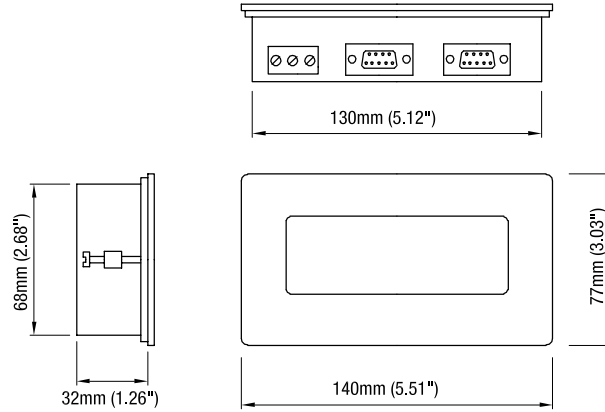
Weight ca. 2.1kg (4.6lbs)



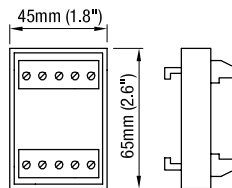
Dimensions

NB 9000 Remote Box

NB 9000 Panel mounting

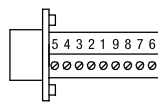


Biassing network

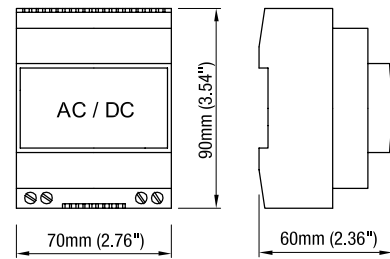


Mounting: DIN rail 35

Terminal plug

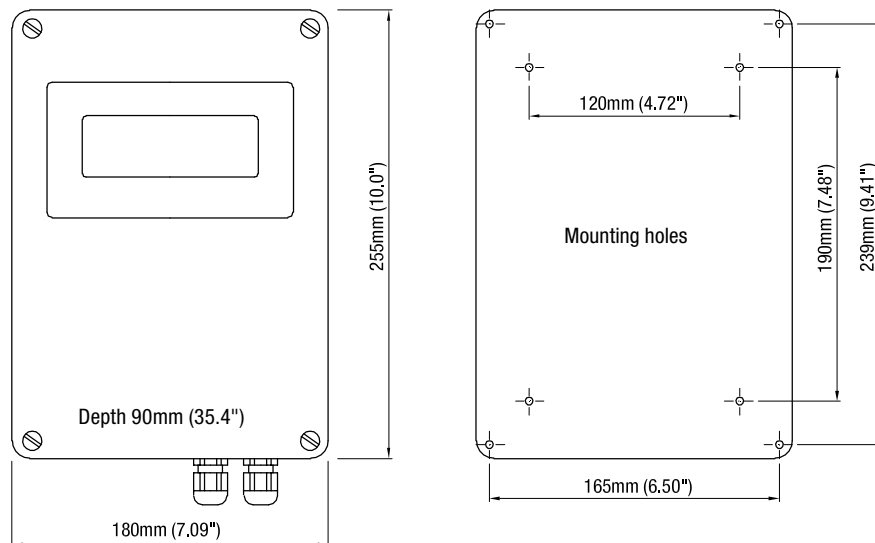


AC/DC converter



Mounting: DIN rail 35

NB 9000 Wall mounting



Technical data

Electrical data

| Power supply | AC version 98 .. 253V 50-60Hz DC version 20 .. 28V (voltages incl. 10% of EN 61010) | | | | | | | | | | | | | | | | | | |
|---|--|--------------------|---------|----------|----------------|----------------------|---------|----------------------|---------|------------------------|----------|----------------------|----------|----------|--|------------------|-----------------------|--|--------------------|
| Installed load | AC version 150 VA DC version 150 W (ratings with internal heater (80W) included) | | | | | | | | | | | | | | | | | | |
| Signal output: 0/4-20mA | Max. 500 Ohms (active, isolated) Linearity +/- 0,1mA | | | | | | | | | | | | | | | | | | |
| Signal output: Relay | 4x Relay SPST: max. 250V AC, 2A, 500VA non inductive | | | | | | | | | | | | | | | | | | |
| Signal output: Electronic counting pulse | Optocoupler max. 30V DC, max. 25mA | | | | | | | | | | | | | | | | | | |
| Communication: Modbus RTU | Physical layer: RS 485 and Ground, isolated Mode: RTU, Type: Slave Device number range: 1 - 247 (selectable in menu), Baudrate: 1200 to 57600 Baud, Data bits: 8, Stop Bits: 1 Parity: None Multi-drop configuration possible. Factory setting of address is 100. Each unit which is connected to the network must be set to an individual address. Supported commands Reading: All diagnostics and parameters using command 03 _{HEX} : Read Holding Register Writing: All parameters using command 06 _{HEX} : Write Single Register (not supported is command 10 _{HEX} : Write Multiple Register). | | | | | | | | | | | | | | | | | | |
| Communication: Profibus DP | Physical layer: RS 485, isolated Type: Slave Device number range: 0 - 126 (selectable in menu), Baudrate: 9.6 kbps to 12 Mbps Available communication by GSD file, Read only (Sensor weight bottom to material (in mm)) | | | | | | | | | | | | | | | | | | |
| Accuracy of measurement | <table border="1"> <thead> <tr> <th>Output</th> <th>Setting</th> <th>Accuracy</th> </tr> </thead> <tbody> <tr> <td rowspan="4">Counting pulse</td> <td>10cm (1/6ft) / pulse</td> <td>1 pulse</td> </tr> <tr> <td>5cm (1/3 ft) / pulse</td> <td>1 pulse</td> </tr> <tr> <td>2,5cm (1/10ft) / pulse</td> <td>2 pulses</td> </tr> <tr> <td>1cm (1/20ft) / pulse</td> <td>4 pulses</td> </tr> <tr> <td>0/4-20mA</td> <td></td> <td>1% of max. range</td> </tr> <tr> <td>Modbus RTU / Profibus</td> <td></td> <td>0.5% of max. range</td> </tr> </tbody> </table> | Output | Setting | Accuracy | Counting pulse | 10cm (1/6ft) / pulse | 1 pulse | 5cm (1/3 ft) / pulse | 1 pulse | 2,5cm (1/10ft) / pulse | 2 pulses | 1cm (1/20ft) / pulse | 4 pulses | 0/4-20mA | | 1% of max. range | Modbus RTU / Profibus | | 0.5% of max. range |
| Output | Setting | Accuracy | | | | | | | | | | | | | | | | | |
| Counting pulse | 10cm (1/6ft) / pulse | 1 pulse | | | | | | | | | | | | | | | | | |
| | 5cm (1/3 ft) / pulse | 1 pulse | | | | | | | | | | | | | | | | | |
| | 2,5cm (1/10ft) / pulse | 2 pulses | | | | | | | | | | | | | | | | | |
| | 1cm (1/20ft) / pulse | 4 pulses | | | | | | | | | | | | | | | | | |
| 0/4-20mA | | 1% of max. range | | | | | | | | | | | | | | | | | |
| Modbus RTU / Profibus | | 0.5% of max. range | | | | | | | | | | | | | | | | | |
| Display | LCD display: 2 line x 16 digit | | | | | | | | | | | | | | | | | | |
| Indication light | Status by build in LED: Power On, Relais, Maintenance and Failure | | | | | | | | | | | | | | | | | | |
| Memory | Non-volatile (no backup battery required) > 10 years data retention | | | | | | | | | | | | | | | | | | |
| Connection terminals | 0.14 .. 2.5mm ² (AWG 26 .. 14) | | | | | | | | | | | | | | | | | | |
| Cable entry | According to selection: Screwed cable gland: 2x M20x1.5 and 1x M25x1.5 Blindplug: 2x M20x1.5 or Conduit ANSI B1.20.1: 1x NPT 3/4" + 2x NPT 1/2" Blindplug: 2x NPT 1/2" | | | | | | | | | | | | | | | | | | |

Technical data

| | |
|---|---|
| Extension cables for Remote Box NB 9000 and Modbus | Specifications see in chapter "Electrical installation" Suggested cable types see in chapter "Accessories" |
| Extension cables for Profibus DP | Use common recommended Profibus cables |
| Isolation | Power supply to all other outputs / inputs: AC version 2210 Vrms DC version: 1000 VDC Relay to relay: 2210 Vrms |
| Protection class | I |

Mechanical data

| | |
|--|--|
| Ingress protection | IP 66, Type 4 |
| Process connection | Threads: R 1 1/2" DIN 2999 tapered, NPT 1 1/2" or 3" ANSI B1.20.1 tapered Flanges: DN100 PN16 EN1092-1 (unit fits to this flange) 2" or 3" or 4" 150lbs ANSI B16.5 (unit fits to this flange) |
| Colour | Housing, Flange RAL 5010 (gentian blue) Lid RAL 9006 (aluminium silver) |
| Material | See detail specifications on page G4 - G6 |
| Measuring range | Rope version max. 30m (100ft) Tape version max. 40m (133ft) |
| Measuring speed | Sensor weight speed in average: Standard version: ca. 0.25m/s (0.8ft/sec) Version with brushless motor: ca. 0.33m/s (1.0ft/sec) |
| Weight | Rope version with flange: ca. 11kg (24.2lbs) with thread: ca. 12kg (26.4lbs) Tape version with flange: ca. 12kg (26.4lbs) with thread: ca. 13kg (28.6lbs) |
| Deviation of vertical mounting | max. 2° |
| Compressed air connector (Option) | Quick coupling incl. opposite part, for hose diameter 9mm (0.35"), female at housing Max. operating pressure 0.2bar (2.9psi) |

Technical data

Operating conditions

| | | | |
|--|--|---|-----------------------------------|
| Process overpressure | -0.3 ..+0.3bar (-4.4 ..+4.4psi) -0.5 .. + 1.7 bar (-7.3 .. +25psi) optional | | |
| Process temperature | -40°C ..+80 /150 / 250°C (-40 ..+176 / 302 / 482°F) | | |
| Ambient temperature | -20°C .. +60°C (-4 .. +140°F) -40°C .. +60°C (-40 .. +140°F) -40°C .. +60°C (-40 .. +140°F) max. +40°C (104°F) | CE, FM General Purpose ATEX, FM Class II on request possible Version with Process temp. 150°C (302°F) | with internal heater |
| Min. powder density | see "Sensor weight guide" on next page | | |
| Minimum time between measuring starts | measuring height 5m (16ft) -> 3min measuring height 10m (33ft) -> 6min measuring height 20m (66ft) -> 12min measuring height 30m (98ft) -> 18min measuring height 40m (131ft) -> 24min | | |
| Rope/tape operating time | see page G36 | | |
| Max. permitted tractive force | Tape version: | with brushless motor: standard motor: | ca. 3000N ca. 800N |
| | Rope version: | with brushless motor: standard motor: with increased corrosion resistance: | ca. 1000N ca. 800N ca. 700N |
| Relative humidity | 0-100%, suitable for outdoor | | |
| Altitude | max. 2000m (6.562ft) | | |

Approvals

Hazardous Locations* ATEX II 1/2 D (zone 20/21)
FM Class. II, III Div.1 Gr. E-G

General purpose * CE EN 61010-1
FM General purpose

EMC EN 61326 -A1 (industrial standard)

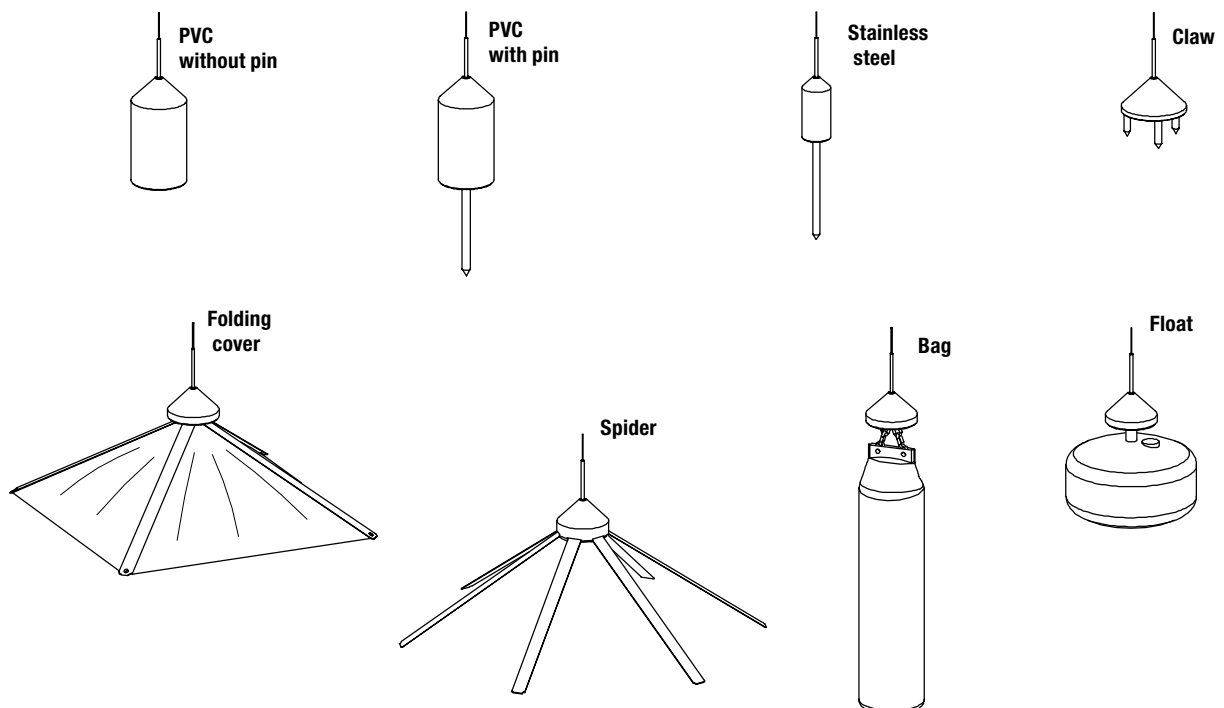
* Depending on selected version in pricelist

Technical data

Sensor weight guide (solids measurement)

| Sensor weight | Application | | | | Note | Fits through mounting hole | | | | |
|-----------------|---|----------------------|-----------------|--------------------|---|----------------------------|----|--------|----|------------|
| | * Material density g/l (lb/ft ³) | Material consistence | Angle of repose | Max. process temp. | | Thread | | Flange | | |
| | | | | | | 1 1/2" | 3" | 2" | 3" | DN100 / 4" |
| PVC without pin | >300 (18) | granulate | flat | 80°C (176°F) | Standard weight | | | | | • |
| PVC with pin | >300 (18) | granulate, powder | steep | 80°C (176°F) | The pin penetrates into the material and avoids slipping or tilting of the sensor weight on the steep bulk surface. | | | | | • |
| Stainl. steel | >300 (18) | granulate, powder | flat, steep | 250°C (482°F) | The pin penetrates into the material and avoids slipping or tilting of the sensor weight on the steep bulk surface. | • | • | • | • | • |
| Claw | >200 (12) | coarse (e.g. stones) | steep | 250°C (482°F) | Avoids slipping or tilting on the steep bulk surface. | | | | | • |
| Folding cover | >20 (1.2) | light powder | flat, steep | 80°C (176°F) | Big surface prevents the sensor weight from sinking into the material. | • | • | • | • | • |
| Spider | >40 (1.4) | light powder | flat, steep | 250°C (482°F) | Big surface prevents the sensor weight from sinking into the material. | | | | | • |
| Bag | >300 (18) | granulate, powder | flat | 80°C (176°F) | Prevents damage of the conveying screw. To be filled with bulk material. | | | | | • |
| Float | - | liquids only | - | 80°C (176°F) | To be filled with material. | | | | | |

* The above mentioned data is a guideline and is valid for material which has settled after filling. During the filling the bulk density can change (e. g. for fluidised material).



Options / Accessories

Options

Window in lid and external start button

Enables to see the display through the closed lid and to start a measurement without opening the lid.

Drawing see page G5

Material of the window: break-proof glass.

Accessories

NB 9000 Remote box (Panel mounting)

Connecting up to 10 units with Modbus RTU network.

Features:

- Programming of the Nivobob units
- Display of level
- Start of measurement
- Display of diagnostics information

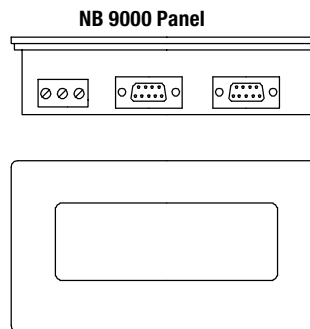
Technical data:

- NB 9000 works as a Modbus master
- Touchpanel
- Power supply: 24V DC +-10% 10W or 85 .. 264V +-0% 50-60Hz 10VA
- Ambient temperature: -0 .. +50°C (-32 .. +122°F)
- Ingress protection: IP65
- Installation only in Non-Hazardous areas permitted

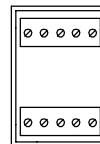
Included parts:

For easy installation and proper functioning of the Modbus network

- **Biassing network (with Terminal resistor):**
 Stabilizer for Modbus communication. Supports the needed biasing voltages to ensure a proper function in a network with long installed cables. Termination resistor is needed for the beginning of the Modbus network.
- **Terminal Plug**
 Supplies screwing terminals for connection between NB 9000 panel and Biassing network
- **AC/DC converter**
 Used, if AC power supply is selected

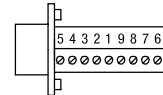


Biassing network

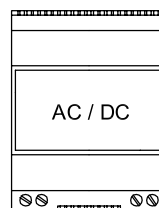


DIN rail 35 mounting

Terminal Plug



AC/DC converter



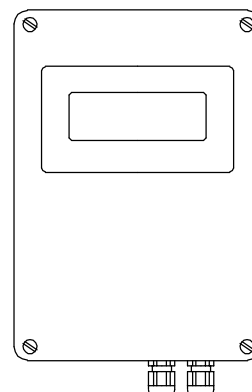
DIN rail 35 mounting

NB 9000 Remote Box (Wall mounting)

Implementation of NB 9000 panel in a wall mounted enclosure.

Material: PC (fibre glas reinforced)

Biassing network (with Termination resistor) implemented.
 AC/DC converter (if AC power supply is selected) implemented.



Accessories

Extension cables

- For connecting the Remote Box NB 9000
- For wiring a Modbus network
- Notes for choosing the right cable see chapter "Electrical Installation"
- It is generally recommended to protect PVC signal cables from UV influence by installing them in a pipe or hose.

Shielded cable

Functionality upto 50m

Cross section 2x 0,34mm² (AWG22), common shield

Capacitance 140nF/km (between wires) / 150nF/km (wire to shield)

-30°C (-22°F) to 70°C (158°F), PVC (LiYCY)

Twisted pair cable

Functionality upto 1000m

Twisted pair instrument cable, common shield

Cross section 2x 0,34mm² (AWG22)

Impedance 120 Ohms

Capacitance 40nF/km

-40°C (-40°F) to 75°C (167°F), PVC

Protection hose

for installation of extension cables in ATEX Zone 21 available

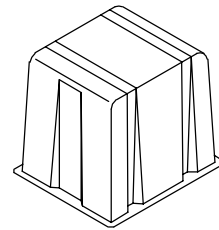
Weather protection cover

If the unit is used outdoors, the use of the weather protection cover is recommended. It protects the device from all atmospheric influences such as

- rain water
- condensation water
- excessively high temperatures
- excessively low temperatures in winter

Material: PE, weather and temperature stable

For use in Hazardous Locations only permitted for Zone 22 or Division 2.



Mounting set

Sealings, screws and washers for fixing the unit on a flange.

Mounting

! General Safety Instructions

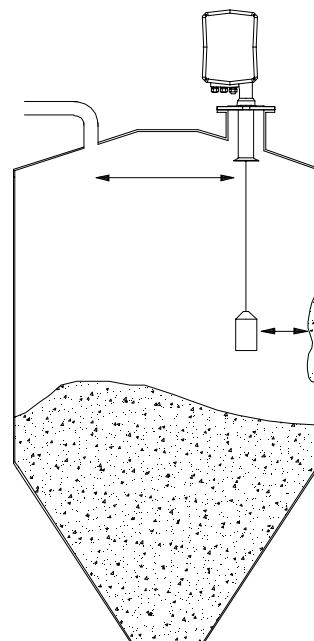
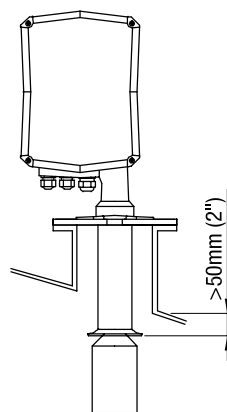
| | |
|---|--|
| Process pressure | Improper installation may result in loss of process pressure. |
| Chemical resistance against the medium | Materials of construction are chosen based on their chemical compatibility (or inertness) for general purposes. For exposure to specific environments, check with chemical compatibility charts before installing. |
| Mounting location | The right mounting place is significant for a proper function. Observe mounting instructions. |
| Vibrations | Avoid mounting in applications with strong vibration. Use rubber mounts for absorption in case of light vibrations. |

! Additional Safety Instructions for Hazardous Locations

| | |
|---------------------------------|---|
| Installation regulations | For devices to be used in Hazardous Locations the respective valid installation regulations must be observed. |
| Sparks | The installation has to be done in a way, that mechanical friction or impact does not cause sparks between the aluminium enclosure and steel. |

Mounting instructions

- Mounting position**
- The unit is mounted vertically on the silo. Max. deviation is 2°.
 - There must be at least 200mm (7.87") space for the sensor weight to move down in case of a full silo. Observe the bottom of the sensor weight at "upper stop position" (dimensions see page G4 - G6).
 - The socket pipe of the unit must protrude at least 50mm (2") into the silo. A version with longer socket pipe is available.
 - Proper movement of the sensor weight must be guaranteed, even if the sensor weight oscillates. Observe enough distance to the silo wall, stanchions and built-in fittings.



Mounting

Measurement during filling of the silo Filling of the silo while measuring might cover the sensor weight with bulk material. Measurements during filling are possible, if there is enough distance to the infeed, so that no material can fall on the sensor weight.

Sensor weight "Bag" and "Float"

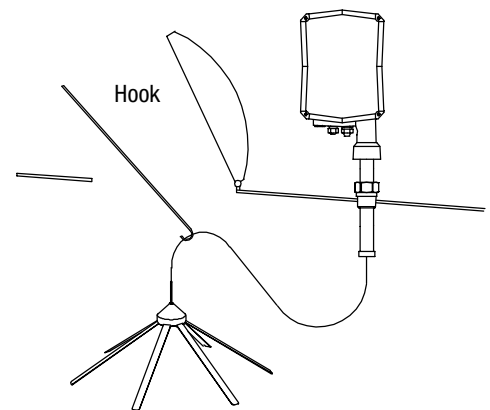
- The weights are filled with plastic granulate or sand. They shall be filled on site with bulk material or liquid, which is not critical if mixed with the material stored in the silo. Consider ageing of the material.
- When filling, observe the total weight of the sensor: rope version 1.0kg (2.2lbs), tape version 2.1kg (4.6lbs)

Sealing

- A rubber seal must be used to tighten the flange.
- Close both lids of the enclosure tightly.

Sensor weight which does not fit through the mounting hole The sensor weight must be removed before placing the unit on the silo. An inlet close to the fixing location and a hook is needed.

See installation manual for more details.



Electrical installation

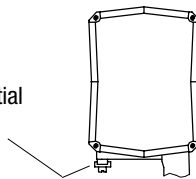
! General Safety Instructions

| | |
|---|---|
| Handling | In case of improper handling or handling malpractice, the electric safety of the device cannot be guaranteed. |
| Installation regulations | The local regulations or VDE 0100 (Regulations of German Electrotechnical Engineers) must be observed. |
| Fuse | Use a fuse as stated in the connection diagrams. |
| RCCB protection | In case of a fault, the supply voltage must be automatically switched off by a RCCB protection switch to protect against indirect contact with dangerous voltages. |
| Power supply switch | A voltage disconnection switch must be provided near the device. |
| Wiring diagram | The electrical connections are made in accordance with the wiring diagram. |
| Supply voltage | Compare the supply voltage applied with the specifications given on the name plate before switching the device on. |
| Cable gland | Make sure that the screwed cable gland safely seals the cable and that it is tight (danger of water intrusion). Cable glands that are not used have to be sealed with a blanking element. |
| Conduit system | In case of using a conduit system (with NPT thread) instead of a cable gland the regulations of the country, where the unit is installed, must be observed. The conduit must have a tapered thread either NPT 1/2" or NPT 3/4" in accordance with the unit and ANSI B 1.20.1. Not used inlets must be closed tight with a metal blanking element. |
| Field wiring cables | All field wirings must have insulation suitable for at least 250V AC. The temperature rating must be at least 80°C (176°F). |
| Relay protection | Provide protection for relay contacts to protect the device against inductive load surges. |
| Protection against static charging | The housing of the unit must be grounded to avoid static charging of the unit. This is particularly important for applications with pneumatic conveying and non-metallic containers. |

! Additional Safety Instructions for Hazardous Locations

External equipotential bonding terminal

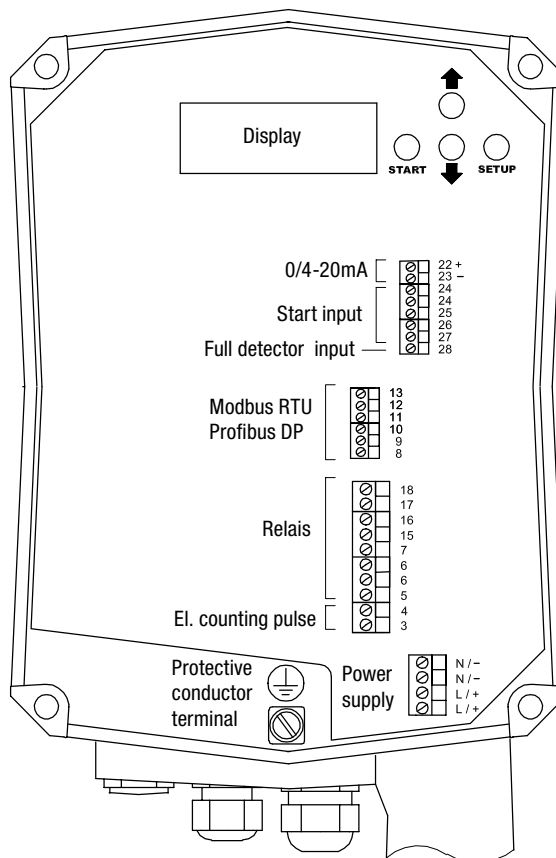
Connect to equipotential bonding of the plant



| | |
|---|--|
| Field wiring | A strain relief must be provided for the field wiring cables, if the device is installed with the factory provided cable glands. |
| Cable glands for ATEX Hazardous Locations | The used entry devices and blanking elements must have an adequate type approval and a temperature range as defined in the technical data of the unit. In addition they shall be suitable for the conditions and correctly installed. Where applicable the provided original parts of the manufacturer must be used. |
| Conduit system for ATEX and FM Hazardous Locations | In addition the regulations of the country must be observed. The used flameproof seals and blanking elements must have an adequate type approval and a temperature range as defined in the technical data of the unit. In addition they shall be suitable for the conditions and correctly installed. Where applicable the provided original parts of the manufacturer must be used. |
| Commissioning / opening the lid | Commissioning only, when there are no dust deposits or swirls present. |

Electrical installation

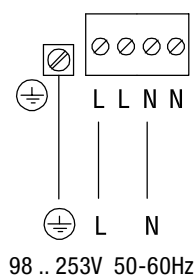
Terminal location



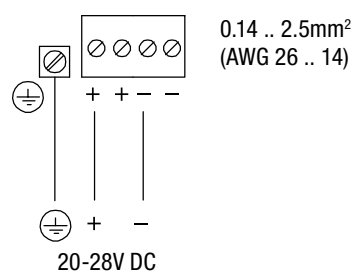
NB 3000 - Power supply and Signal input /output

Power supply

AC version

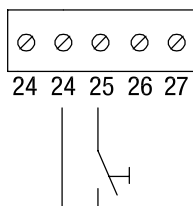


DC version

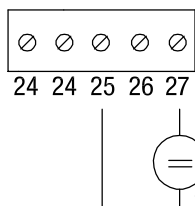


AC or DC supply depending on ordered version

Signal input: Start of measurement

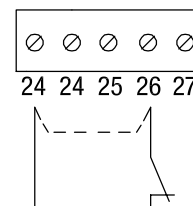


Start contact



Start +24V

alternative



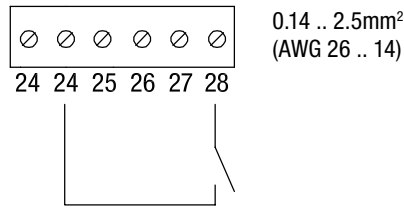
Measurement interruption in case of filling. If used, remove factory provided connection.

0.14 .. 2.5mm²
(AWG 26 .. 14)

Signal description:
See page G22

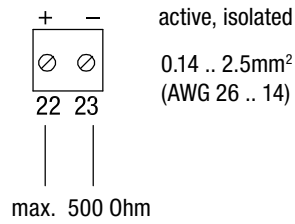
Electrical installation

Signal input:
Full detector



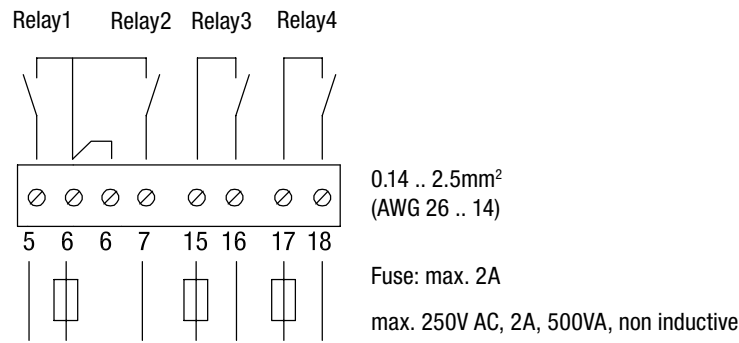
Signal description:
 See page G22

Signal output:
0/4-20mA



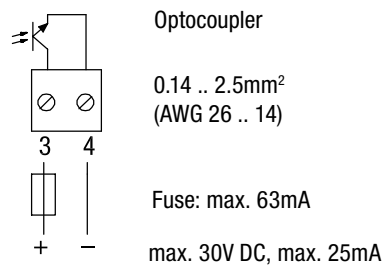
Signal description:
 See page G22

Signal output:
Relay



Signal description:
 See page G22

Signal output:
Electronic counting pulse

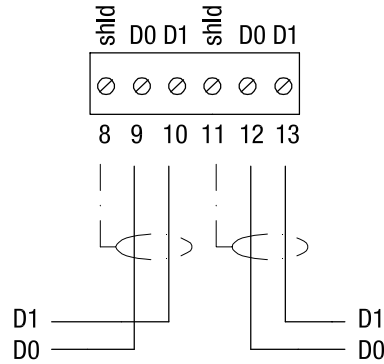


Note:
 Reset pulse is done with Relay 2

Signal description:
 See page G23

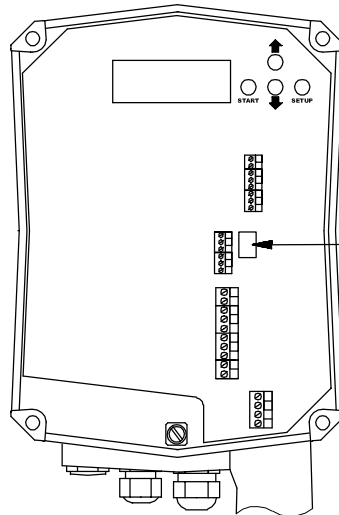
Electrical installation

NB 3000 - Modbus network



Setting Biasing and Termination Resistor

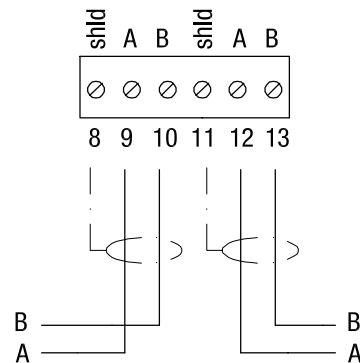
For use of NB 3000 units in an external Modbus network, it is possible to set Biasing and Termination Resistor on each unit as required.



| | | | |
|----------------------|------|-----|----|
| | | | |
| Biasing | OFF* | OFF | ON |
| Termination Resistor | OFF* | ON | ON |

*factory provided

NB 3000 - Profibus DP network

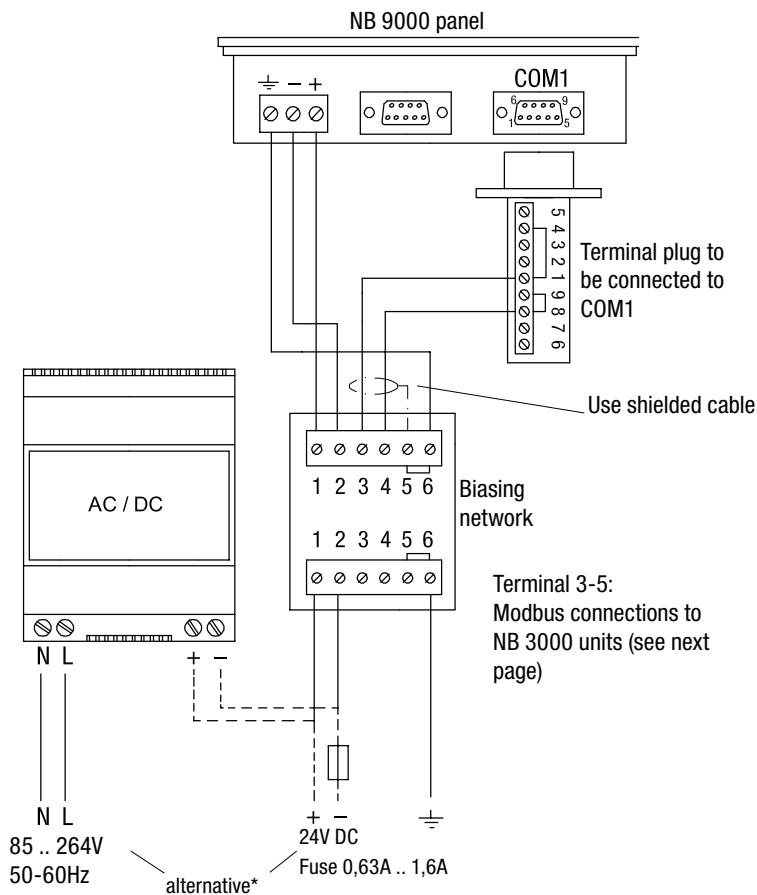


Wiring according to Profibus DP standards

Electrical installation

Remote Box NB 9000 - Internal wiring and power supply

Panel mounting version



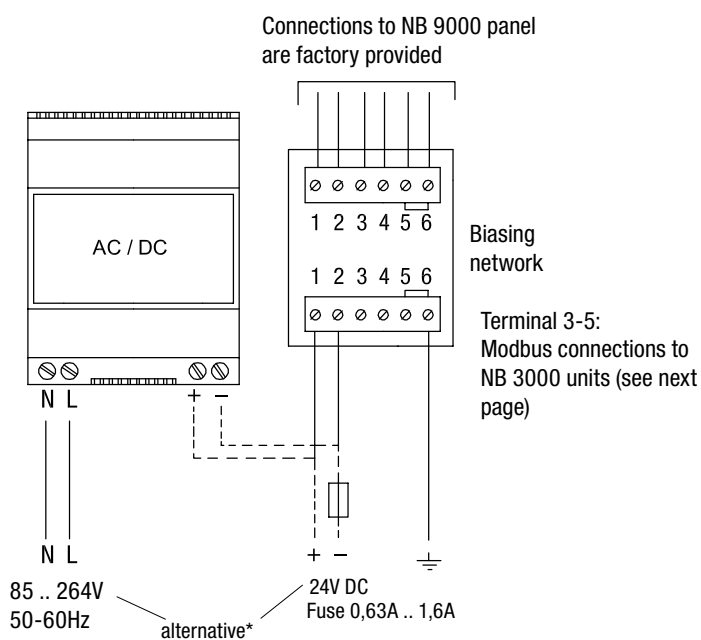
Note:
 NB 9000 COM1:
 Modbus D1 =
 Pin 1 and 4.
 Modbus D0 =
 Pin 8 and 9.
 Cache = shield.

Note:
 Terminal
 plug internal
 connections:
 Pin 1 and 4.
 Pin 8 and 9.

If required: Power supply can be taken from one of the NB 3000 power supply terminals (see next page).

* AC/DC converter:
 Used, if AC power supply is selected

Wall mounting version

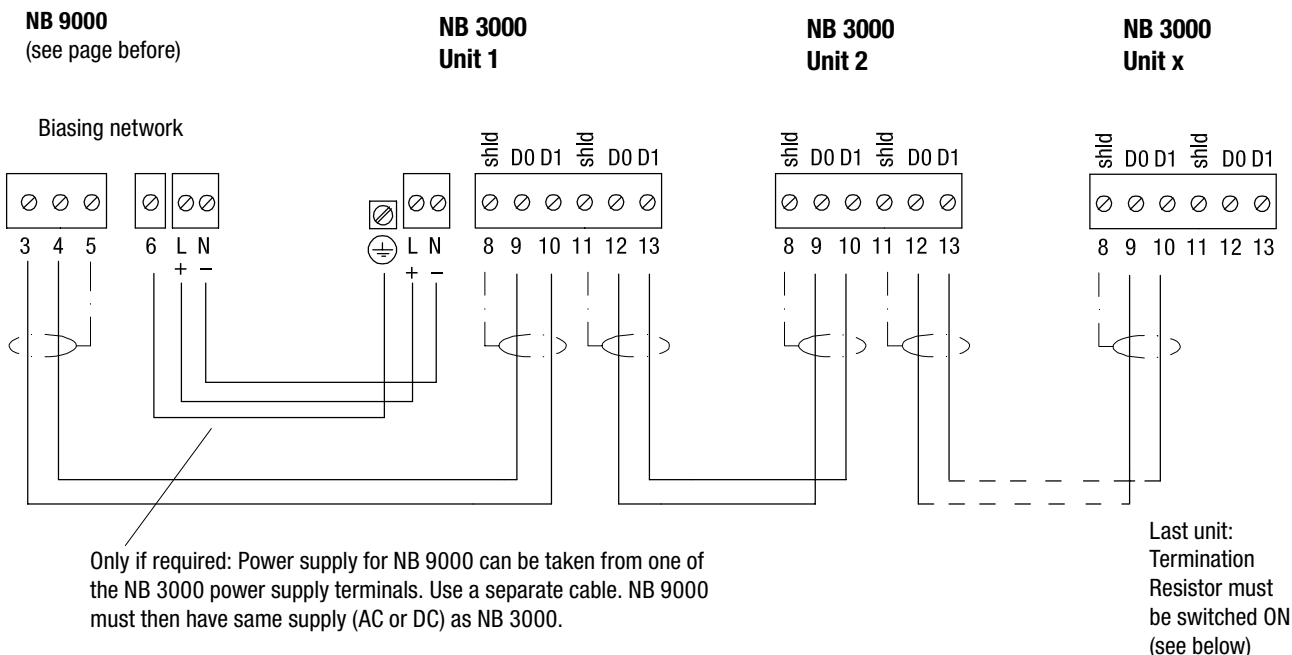


If required: Power supply can be taken from one of the NB 3000 power supply terminals (see next page).

* AC/DC converter:
 Used, if AC power supply is selected

Electrical installation

Remote Box NB 9000 - Connecting to NB 3000



Recommended Modbus cables:

Cable length <50m (164 ft):

Cable length >50m (164ft) - 1000m (3270ft):

Shielded cable (specifications see page G13)

Twisted pair cable (specifications see page G13)

Notes:

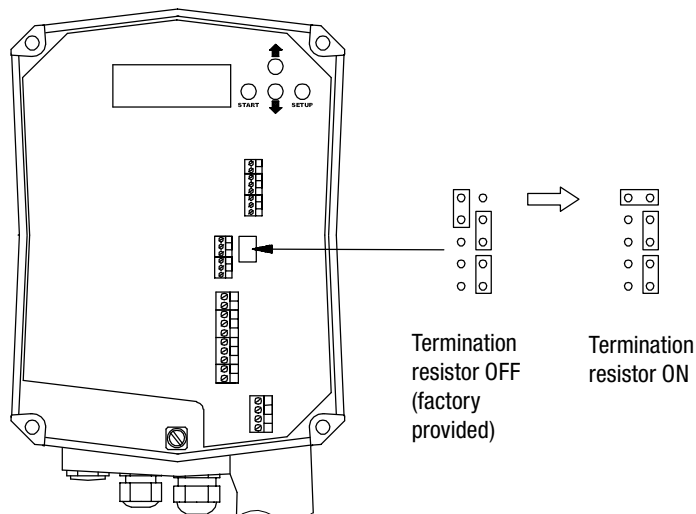
- Installation of NB 9000 only in Non-Hazardous areas permitted
- Max. length of network: 1000m (3270ft)
- Max. 10 units NB 3000 possible
- Additional use of other signal input and output should be wired in a separate cable.
- D0, D1 = Modbus lines

Setting the Termination Resistor

A termination resistor must be present at both ends of the modbus network (ca. 150 Ohms between lines D0 and D1).

The biasing network of the NB 9000 implements a termination resistor at the beginning of the network.

The termination resistor of the last NB 3000 in a network must be switched on (jumper setting, see drawing).



Signal overview

Signal input / output

Signal input:
Start of measurement

- Floating contact (terminal 24, 25) or
- 24 V DC voltage (terminal 25, 27), current consumption approx. 25mA, observe the polarity.

Duration of starting signal: 0.7 to 5s
 The contact must be closed or the 24V signal must be present to start.

Measurement interruption

Used to avoid a measurement in case of filling and to interrupt a running measurement when filling starts. When the terminal 24 und 26 are opened, the sensor weight returns to the upper stop position. If required, remove factory provided wire between terminal 24 and 26 and connect to the filling coupling. The contact must be closed to enable a measurement.

Signal input:
Full detector

Enables to implement a full detector signal in the Modbus or Profibus.

Signal output:
0/4-20mA

Programmable to indicate a level or a volume signal. The output is updated, when the sensor weight touches the surface of the bulk good. It stays until the next measurement is done.

Signal output:
Relay

Relais can be setted as shown in the following table:

| | Relay 1 | Relay 2 | Relay 3 | Relay 4 |
|------------------|----------------|----------------|-------------|---------------------|
| Factory settings | Counting pulse | Reset pulse | Failure | Upper stop position |
| Programmable | Limit switch 1 | Limit switch 2 | Maintenance | Maintenance |

Relais 1/2 set to Counting/Reset pulse:

The counting pulse output is used to connect an external digital counter or a PLC with counting input.

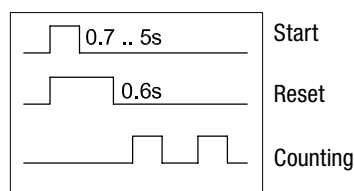
Reset pulse (terminal 6 and 7):

After start of measurement, a reset pulse is given. It is used to reset the connected evaluation device (counter/ PLC, ...).

Counting pulse (terminal 5 and 6):

The counting pulse communicates the measured value to the connected evaluation device. During the downward movement of the sensor weight, this pulse is generated according to the following table:

Timing



| Counting pulse programmed to: | ON | OFF |
|-------------------------------|-------|-------------|
| 10cm (1/6ft) / pulse | 0.13s | 0.13..0.3s |
| 5cm (1/3 ft) / pulse | 0.07s | 0.07..0.15s |

Relais 1/2 set to Limit switch:

It is possible to indicate two independent level limit switches. The limit switch signal is derived from the analogue measurement signal (details see Programming page 27)

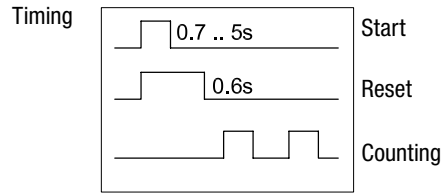
Relay 3 set to Upper stop position

The signal allows the user to determine whether the measurement has come to its end. In this case the sensor weight is in its upper stop position, relay contacts are closed.

Signal overview

Signal output:
Electronic counting pulse

Counting pulse (terminal 3 and 4):
 The electronic counting pulse enables a high amount of pulses to receive a high resolution of the measurement signal.



| Counting pulse programmed to: | ON | OFF |
|-------------------------------|------------------------|----------|
| | 2,5cm (1/10ft) / pulse | 25ms |
| 1cm (1/20ft) / pulse | 10ms | 10..30ms |

Note:
 The reset pulse is done with relay 2.
 Relay 1 is OFF, when the electronic counting pulse is working.

LED status

| LED | Status |
|-----------------|--------------------|
| Green is on | Power On |
| Red is on | Failure |
| Red is blinking | Maintenance |
| Yellow is on | Relay is energised |

Diagnose signals

Failure

Result is a non valid measurement.
 Red LED is on. Relay 3 indicates Failure.
 The signal indicates critical situations. Evaluation can help to avoid losing the sensor weight inside the silo.

 If Failure is indicated, the unit must be checked on site.

 Failure codes description see page G37.

Maintenance

Result is an indication for the user with still valid measurement.
 Red LED is blinking. Relay 4 indicates Maintenance (programmable).
 The signal enables a preventive maintenance. Evaluating can help to avoid loosing the sensor weight inside the silo.

 If Maintenance is indicated, the measurement process can be continued.

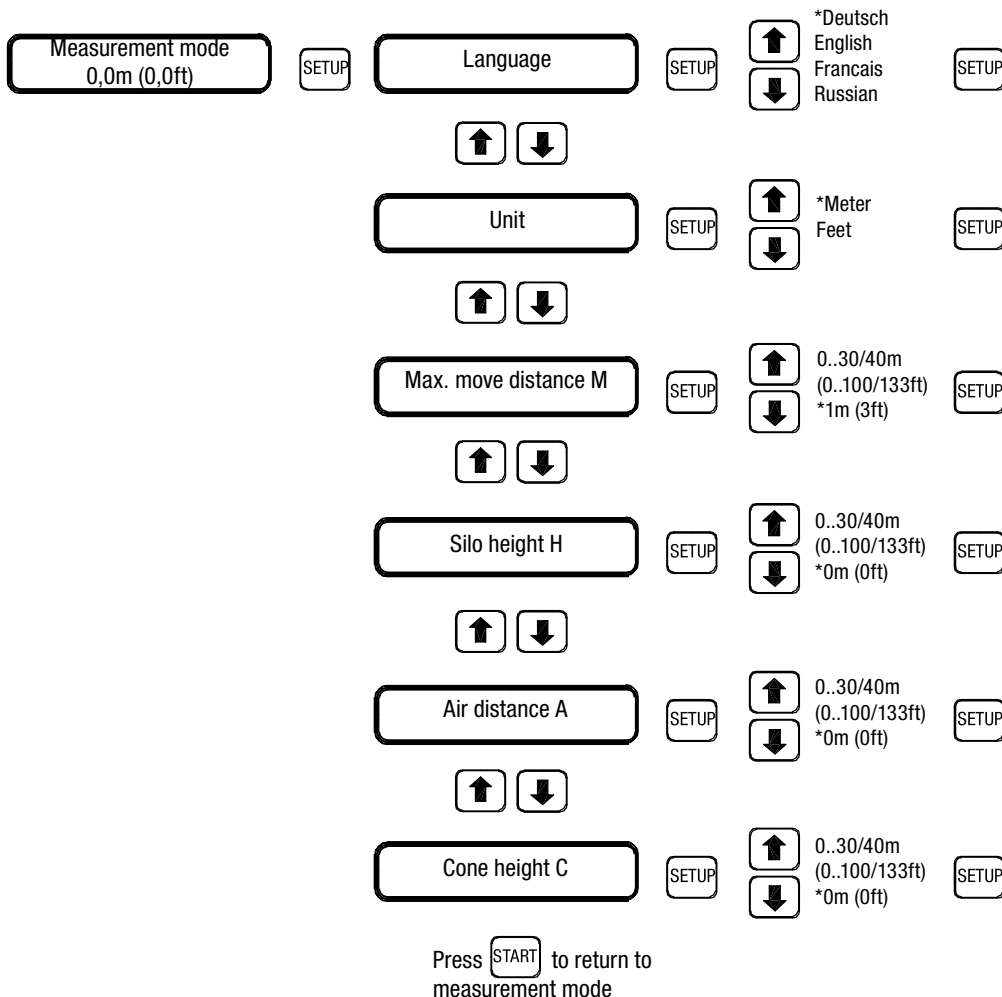
 Maintenance codes description see page G35.

Programming NB 3000 Nivobob

Quickset menu

The Quickset menu is used for fast and easy start-up of the system.

If the unit is working in normal operation (measurement mode), the SETUP button brings up the Quickset menu.



Max. adjustable length of 30/40m depending on ordered version.

* Factory-provided

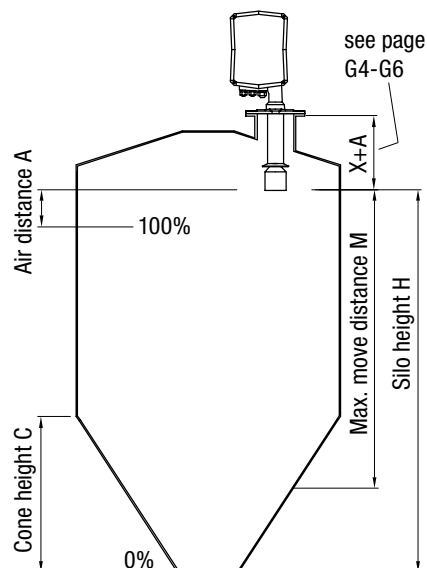
Max. move distance M Ensures that the weight does not enter into the silo outlet.

Silo height H Definition of 0% level output.
 Note: If the maximum move distance M is smaller than the silo height H, the measured value will always be more than 0%.

Air distance A Definition of 100% level output.





Cone height C Enables to set the current output as volume.
 C = 0 Current output indicates material level
 C > 0 Current output indicates material volume

Note:
 When using the digital pulse output (terminal 5/6/7, see page G18/22) the parameters silo height H, air distance A and cone height C have no influence on the measurement value.



Programming NB 3000 Nivobob

Programming buttons

-  Continues with next adjustment item
-  Continues with measurement display after parameter adjustment
Starts measurement
Cancels a Failure or Maintenance message
-  Increases the value to be adjusted
-  Decreases the value to be adjusted

Runtime messages

During measurement mode, following runtime indications are given:

- ★ Upper Stop Position is reached
- ↓ Motor is moving downwards (fast mode)
- ↑ Motor is moving upwards (fast mode)
- ← Motor is moving in slow mode (shortly after motor start and before Upper Stop Position is reached)

BLOCKED Measurement interruption is active (terminal 24 to 26 not connected, see page G22)

Note:
Pressing the ARROW DOWN button in measurement mode brings up more service information (not described in this manual)

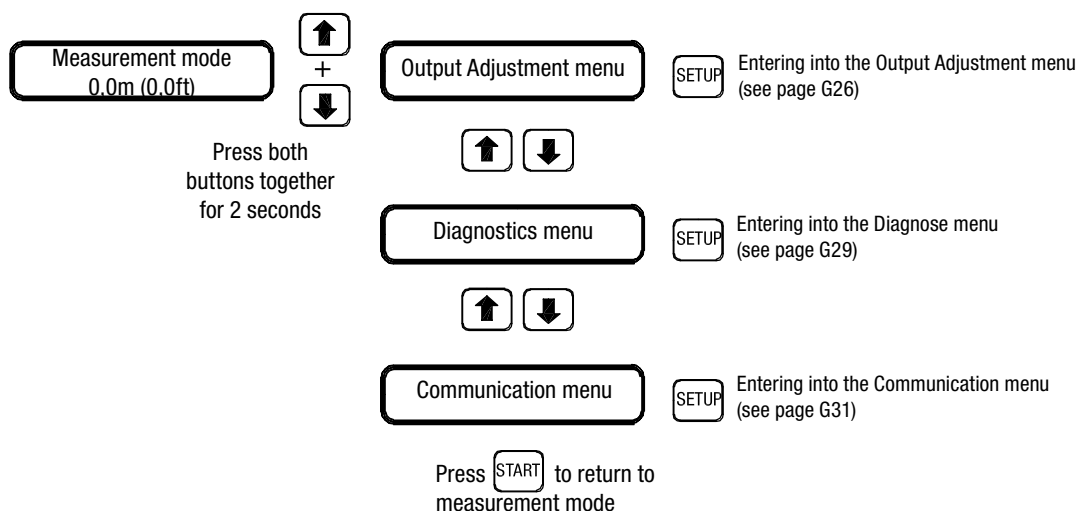
Advanced menus

(use only if necessary)

With the advanced menus it is possible to set the outputs and to display the actual state of the unit.

Entering the advanced menus:

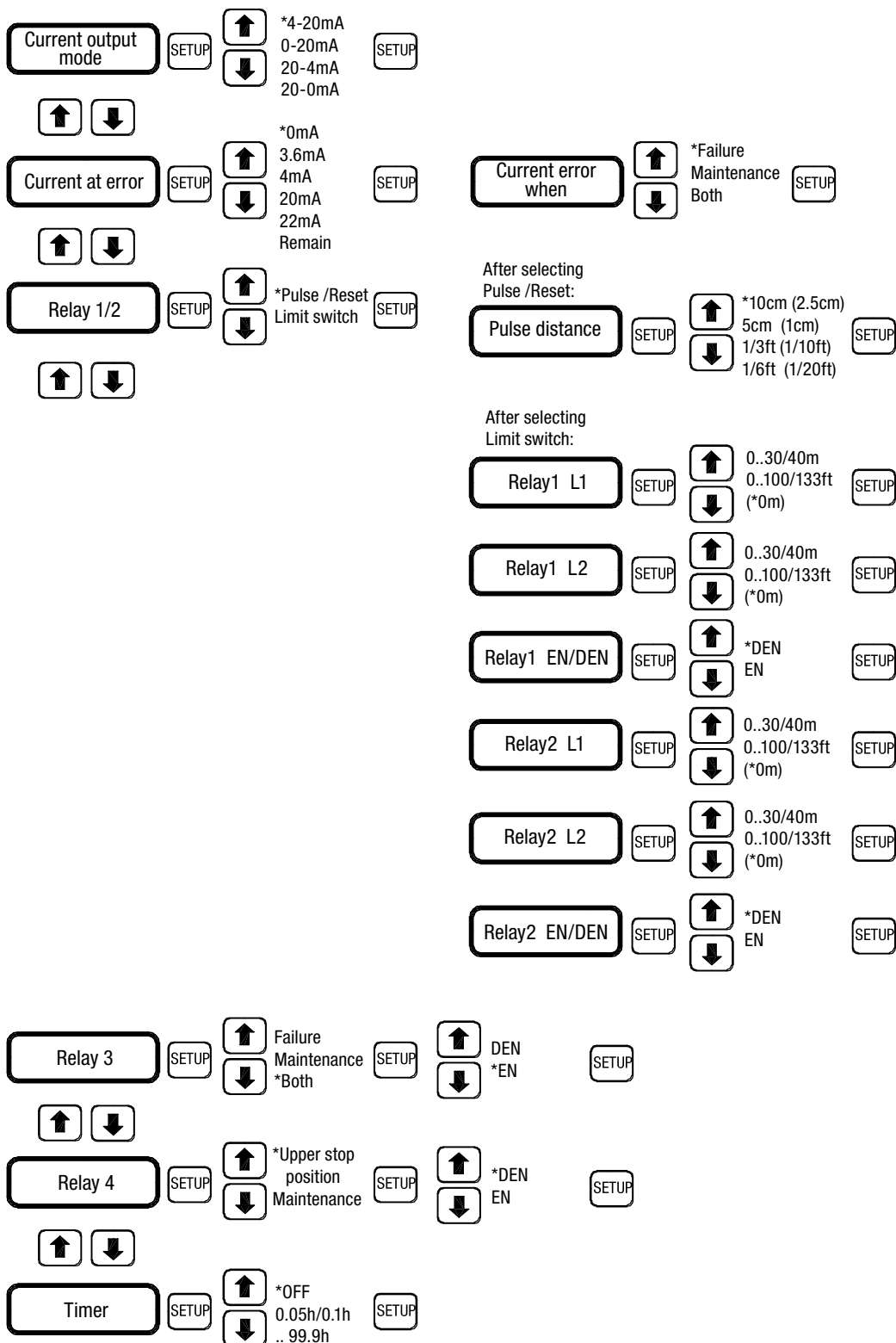
If the unit is working in normal operation (measurement mode), press both "arrow" buttons together for approx. 2 seconds.



Programming NB 3000 Nivobob

Output Adjustment menu

The Output Adjustment menu is used for setting the 0/4-20mA, relays and internal timer

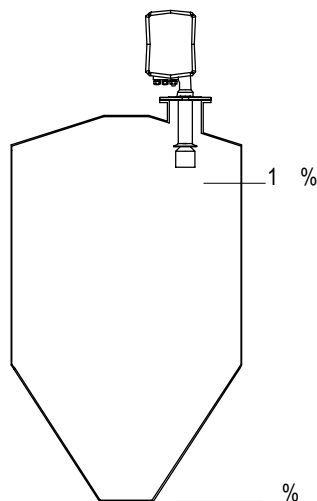


Press **START** to return to measurement mode

* Factory provided

Programming NB 3000 Nivobob

Current output mode



| Setting | Current output at level | |
|---------|-------------------------|-------|
| | 0% | 100% |
| 4-20 mA | 4 mA | 20 mA |
| 0-20 mA | 0 mA | 20 mA |
| 20-4 mA | 20 mA | 4 mA |
| 20-0 mA | 20 mA | 0 mA |

Current at error

In case of error (Failure, Maintenance) the current output shows the adjusted value. It can also be adjusted, whether the current output shall indicate Failure or Maintenance or both situations.

Relay 1/2

Selects, if Relay 1 and 2 shall work as Counting / Reset pulse output or as two independently programmable limit switches.

Selecting Pulse / Reset:

Relay 1 works as Counting pulse output with selected pulse rate (the values in brackets are valid for the version with Electronic counting pulse). Relay 2 works as Reset pulse. Details see Signal Overview on page G22.

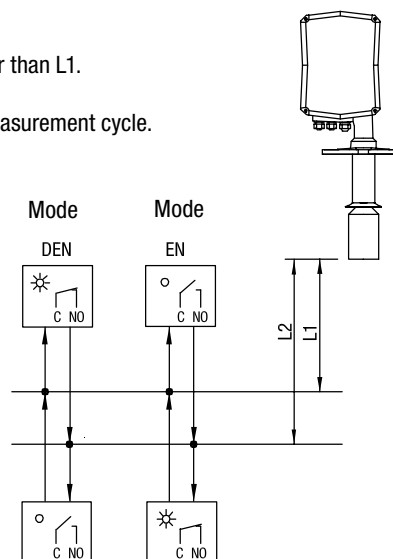
Selecting Limit switch:

The relays are programmed with the distance from the sensor weight bottom to the required material surface switching point. The relays can be set to energise or de-energise. The relay logic is as follows:

- DEN** The relay is normally de-energised and is energised when the product rises above the L1 level. It remains energised until the product falls below the L2 level.
- EN** The relay is normally energised and is deenergised when the product rises above the L1 level. It remains deenergised until the product falls below the L2 level.
- L1** L1 is the upper switching point.
- L2** L2 is the lower switching point.
Note: L2 must always be greater than L1.

Note: The limit switch outputs are updated after a measurement cycle.

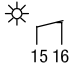
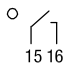
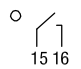
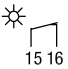
| LED at relay | Relay |
|--------------|------------------|
| ○ | OFF De-energised |
| ☀ | ON Energised |



Programming NB 3000 Nivobob


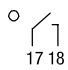
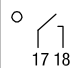

Relay 3

Selects, if relay 3 shall indicate Failure, Maintenance or both situations.

| Failure / Maintenance | Mode DEN | Mode EN |
|-----------------------|---|---|
| Present |  |  |
| Not present |  |  |

Relay 4

Selects, if relay 4 shall indicate "Upper stop position" or Maintenance.

| Upper stop position / Maintenance | Mode DEN | Mode EN |
|-----------------------------------|---|---|
| Present |  |  |
| Not present |  |  |

Timer

Automatic start of measurement with timer function.

The timing interval between two measurements can be adjusted between 0.05h (3 minutes) for the version with brushless motor (otherwise 0,1h (6 minutes)) and 99.9 hours. Position „off“ causes no automatic measurement start.

The timer will be reset:

- after finishing a measurement
- after linking the terminals 24/26 (measurement interruption during filling)

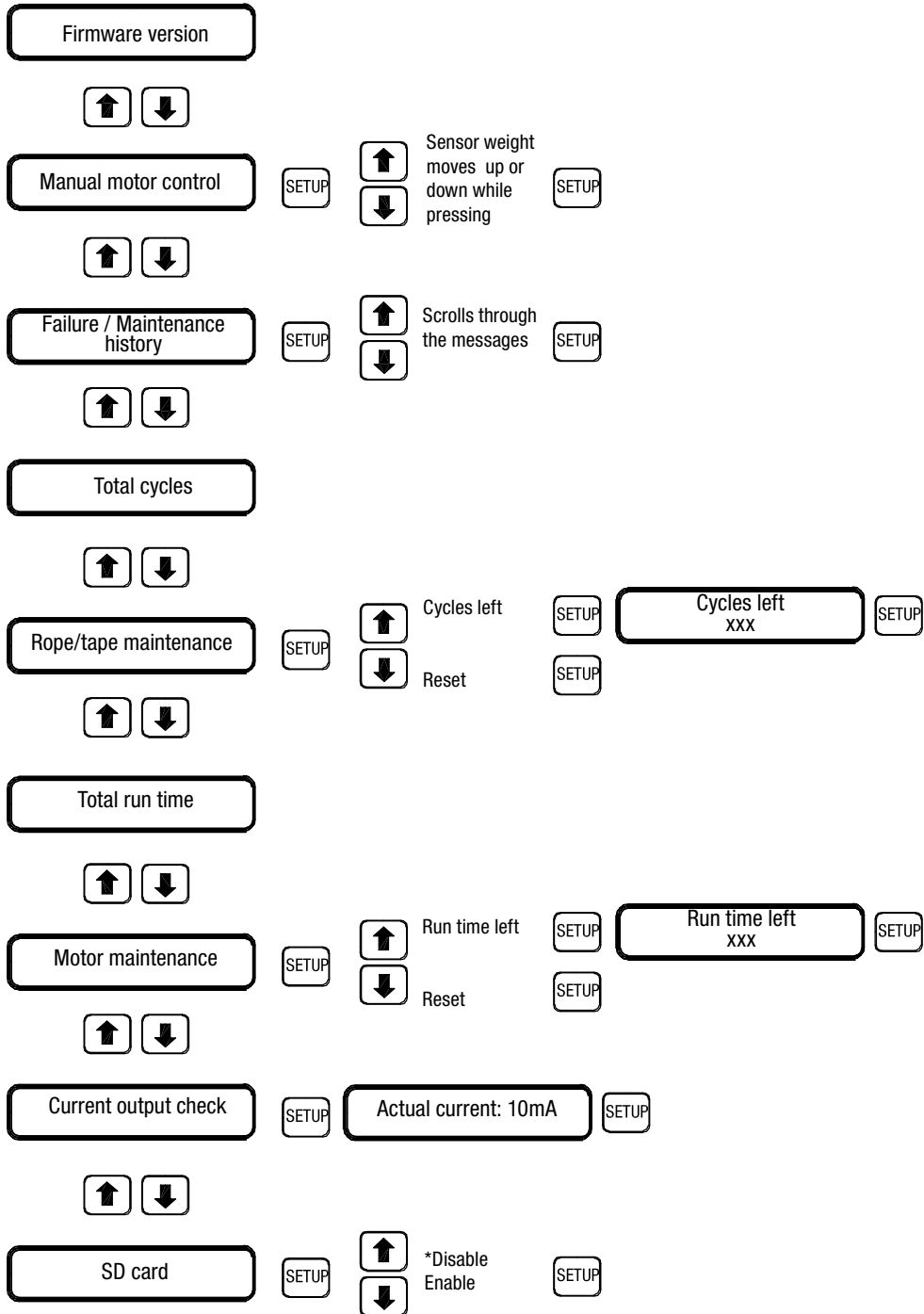
For automatic measurement at a predetermined time of day, an external start unit connected to terminals 24/25/27 is necessary.

To avoid needless wear and tear, the unit should not be started more often than necessary.

Programming NB 3000 Nivobob

Diagnostics menu

The Diagnostics menu is used to diagnose the unit status and for manual motor driving mode



Press **START** to return to measurement mode

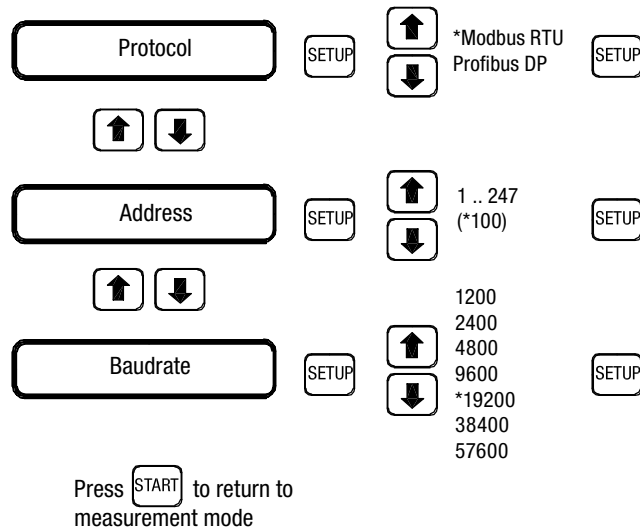
Programming NB 3000 Nivobob

| | |
|--------------------------------------|--|
| Firmware version | States the firmware version of the unit. |
| Manual motor control | <p>The motor moves the sensor weight upwards while the "ARROW UP" button is being pushed. The motor moves the sensor weight downwards while the "ARROW DOWN" button is being pushed.</p> <p>Note: If the sensor weight is in the upper stop position or touching the bulk material surface or after the max. move distance, the motor is automatically stopped.</p> <p>CAUTION: Avoid the sensor weight reaching the outlet position of the silo.</p> |
| Failure / Maintenance history | <p>Indicates the last 93 error messages related to the motor run time after switching on the power supply for the first time. Messages can be scrolled up and down with the "ARROW" buttons. If "None" is indicated, there is no message filed. The messages and the time information are permanently filed even when the power supply is switched off. Details of the messages see page G35 - 37.</p> <p>Examples of indicating a Failure:</p> <p>Hist. 0512h 1350s 0348h 2400s +F11 Meaning: Actual motor run time is 512 hours and 1350 seconds after first power on. At 348 hours and 2400 seconds the Failure F11 came up</p> <p>Hist. 0512h 1350s 0356h 1920s -F11 Meaning: Actual motor run time is 512 hours and 1350 seconds after first power on. At 356 hours and 1920 seconds the Failure F11 was resetted</p> |
| Total cycles | Indicates how many measurement cycles have been performed up to now. |
| Rope/tape maintenance | <p>Cycles left: Indicates how many measurement cycles are left until the next rope/tape failure message F16 will appear and the unit will stop working.</p> <p>Reset: Can be done after a rope/tape change, if the Maintenance message was not yet present. It sets the internal counter to zero to have the full amount of measurement cycles until the next maintenance message will appear.</p> <p>Note 1: After a Maintenance message is reset with the "START" button, the rope/tape maintenance counter is automatically set to zero. Note 2: The number of preset cycles to the next maintenance message depends on the use of rope or tape version.</p> |
| Total run time | Indicates, how long the motor has been running up to now (in hours). |
| Motor maintenance | <p>Run time left: Indicates, how much motor run time (in hours) is left, until the motor failure message F17 will appear and the unit will stop working. For version with brushless motor nothing is stated, because no maintenance is required.</p> <p>Reset: Can be done after a motor change, if the Maintenance message was not yet present. It sets the internal counter to zero to have the full amount of motor run time until the next maintenance message will appear.</p> <p>Note 1: After a Maintenance message is reset with the "START" button, the motor maintenance counter is automatically set to zero.</p> |
| Current output check | Enables to check, if the current output is working proper. The current output is forced to 10mA. This can be evaluated by an external connected multimeter. |
| SD card | <p>Optional use for service aspects (not explained in this manual). After connecting a SD card to the electronics, this parameter shall be set to "EN". Before removing the SD card, it shall be set back to "DEN".</p> |

Programming NB 3000 Nivobob

Communication menu

The Communication menu is used for setting parameters of Modbus RTU and Profibus DP



* Factory provided

Protocol Selects if Modbus RTU or Profibus DP protocol is used.

Adress Selects the used communication adress.

Baudrate Selects the used baudrate.

Programming NB 9000 Remote Box

General

Programming

- The programming can be done either directly on the Nivobob NB 3000 unit or via the Remote Box NB 9000. If programming is done on the Nivobob NB 3000 unit, no more programming of the Remote Box NB 9000 is required.
- All programmed data are stored in the NB 3000 unit and not in the Remote Box NB 9000.

Addressing

The Remote Box NB 9000 addresses are fixed: Silo1 = Address 1, Silo 2 = Address 2 etc. The connected NB 3000 units must be set to these address (see page G31)

Baudrate

The Remote Box NB 9000 always works with 19200 baud. The NB 3000 units are factory provided with 19200 baud. No setting is necessary.

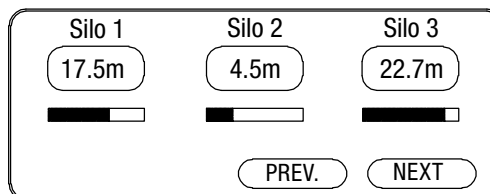
Programming NB 9000 Remote Box

Start after Power On

- The actual Firmware version is displayed
- Press on Touchscreen to enter into the Home page

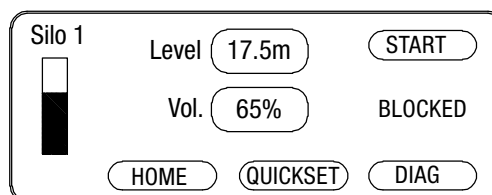
Home page

- Three Silos are indicated per page
- NEXT / PREVIOUS switches to the next or previous silos
- The actual level is displayed in m (or feet), the volume as a bargraph. A flashing level display indicates, that a Maintenance or Failure message is present. If a "!" is stated in the level display, there is no communication between Remote Box NB 9000 and NB 3000.
- Press on a Silo to enter in the Overview page per silo



Overview page per silo

- There is one page per silo
- The actual level, volume and volume bargraph is displayed. A flashing display indicates, that a Maintenance or Failure message is present. If a "!" is stated in the level display, there is no communication between Remote Box NB 9000 and NB 3000 present.
- START will start a measurement of the respective NB 3000. During measurement the level display is moving to show the actual position of the sensor weight.
- BLOCKED is displayed, if the measurement interruption is active and no measurement can be started. This could be done manually (see Quickset page below) or by the measurement interruption input (see page G17 and G22).
- HOME switches back to Home page
- QUICKSET switches to Quickset page
- DIAG switches to Diagnose page



Programming NB 9000 Remote Box

Quickset page

- METER or FEET sets the required unit

- Programming of:
 Max. move distance M
 Silo Height H
 Air Distance A
 Cone height
 See page G24 for details.

Programming via keypad after pressing the touchscreen at the spot, where the value is stated. Confirm with ENTER.

If the programmed values are out of range, the values are first stated in the display, but then will be changed to the max. possible values after a few seconds.

A flashing display indicates, that the NB 3000 is actually been programmed on the silo.

Note: The 4-20mA output is automatically programmed by setting these values.

- NEXT switches to Quickset page 2
- TIMER sets the timer for automatic starting (see page G28)
- BLOCKED or ENABLED avoids or enables the start of a measurement.
- BACK switches to the Overview page per silo.

| | | |
|-------|-------------------|-------|
| Unit | Max. mov. dist. M | 24.5m |
| METER | Silo height H | 26.0m |
| FEET | Air dist. A | 1.0m |
| NEXT | | |

| | | |
|-------|---------------|---------|
| Timer | Cone height C | 3.5m |
| 12.0h | Meas. | BLOCKED |
| BACK | ENABLED | |

| | | |
|------|---|-----|
| 24.5 | | |
| 1 | 2 | 3 |
| 4 | 5 | 6 |
| 7 | 8 | 9 |
| CLR | 0 | ENT |

Diagnostics page

- Displays if a Failure or Maintenance message is present. The respective box is highlighted and states the Failure or Maintenance code. See page G35-37 for details.

Note 1: In case of Failure or Maintenance, the level display on the Home page and Overview page per silo will flash.

Note 2: The messages cannot be reset from the Remote Box, but must be reset on the silo, because an action on site is required.

NEXT switches to Diagnostics page 2

- ROPE/TAPE CYCLES see page G30
- MOTOR RUN TIME see page G30
- BACK switches to the Overview page per silo.

| | | | | | | | |
|---------|-----|-----|-----|-----|-----|-----|-----|
| Failure | F10 | F11 | F12 | F13 | F15 | F16 | F17 |
| Maint. | M10 | M11 | M12 | M16 | M17 | | |
| NEXT | | | | | | | |

| | | | |
|------------------|--------|----------------|-------|
| Rope/Tape Cycles | | Motor Run time | |
| Total | Left | Total | Left |
| 45630 | 104370 | 1225h | 1775h |
| BACK | | | |

Commissioning: Interface measurement

General items

Applications Measurement of solids in water like mud, sand, bed ash, sediment, stones etc.
Rope version: The material surface can be soft / muddy or compact. Sensitivity adjustment possible.
Tape version: The material surface must be compact (the sensor weight cannot sink in). No sensitivity adjustment possible.

Principle The sensor weight penetrates into the water and stops when touching the solid surface.

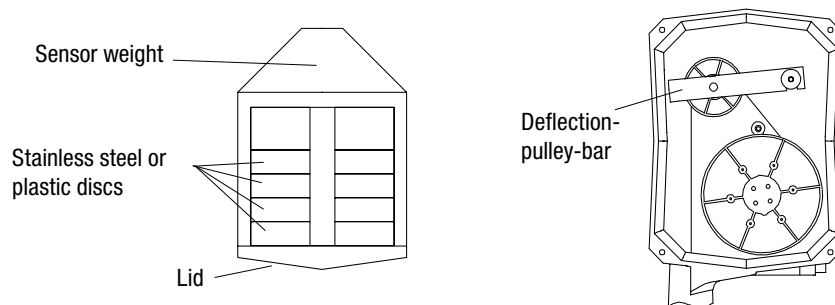
Sensitivity adjustment (rope version)

General The sensitivity (needed release force for the sensor weight when touching the solid surface) can be set to the requirements of the application.
 Sensitivity adjustment is done by lowering the sensor weight into the water by using the "Manual motor control" (see page G29).

1. Coarse adjustment Coarse adjustment is done to avoid the detection of the water surface.

When penetrating into the water, the weight must not float. This can be checked by watching the deflection-pulley-bar. If the deflection-pulley-bar will move briefly upwards while penetrating into the water, the sensor weight floats and needs to be heavier. This is achieved by unscrewing the lid of the sensor weight and replacing one or more plastic discs by stainless steel discs. For soft/muddy surfaces the sensor weight shall be as light as possible to keep it from sinking into the bulk material surface (see step 2).

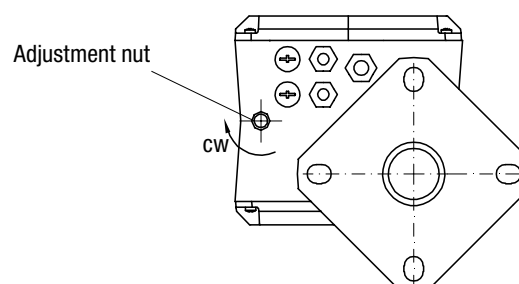
Note: It is important that the sensor weight is completely filled with discs to avoid intrusion of air.



2. Fine adjustment Fine adjustment is done to keep the sensor weight from sinking into a soft/muddy material surface.

- Turn adjustment nut anti clockwise: measurement becomes more sensitive (for soft/muddy surface)
- Turn adjustment nut clockwise: measurement becomes less sensitive (for more compact surface)
- Fix the adjustment nut with the counter nut

The adjustment was successful if the sensor weight penetrates the water surface easily and detects the material surface without sinking in.



Diagnostics: Maintenance

Result is an indication for the user with still valid measurement.

Red LED is blinking. Relay 4 indicates Maintenance (programmable).

The signal enables a preventive maintenance. Evaluating the signal can help to avoid losing the sensor weight inside the silo.

If Maintenance was indicated, the measurement process can be continued.

| Maintenance code | Description | Performance of the device | Solution |
|------------------|--|--|---|
| M10 | Deflection pulley moves not smooth / regular | Message is shown, measurement can be continued. If the following 5 measurement cycles after indication are o.k., the message will automatically disappear. | Check for proper movement of the pulley. Check for possible slipping of the rope/tape on the pulley. |
| M11 | Sensor weight blocked in "upper stop position" or block distance of sensor weight to short | The unit tries to start 5 times. If the sensor weight is not released during this time, the message is shown. If after a new measurement start the sensor weight is released, the message will automatically disappear. | Release sensor weight. Ensure, that the min. moving distance (block distance) is > 200mm (7.87") |
| M12 | SD card not working properly | In the diagnose menu the setting "SD card Enable" is done but SD card is not present or not working properly | Set the menu to "SD card Disable" or change SD card |
| M16 | Service interval: rope / tape | The amount of measurement cycles has reached 70% of the rope/tape lifetime. To further guarantee faultless performance, it is strongly recommended to change the rope/tape. After resetting the message, the internal counter for the rope/ tape cycles is reset to zero. If the message is not reset, the unit will continue measuring, until 90% of the rope/tape lifetime is reached. Then Failure F16 will come up. | Change rope /tape. |
| M17 | Service interval: brush motor (not relevant for version with brushless motor) | The actual run time has reached 70% of the motor lifetime. To further guarantee faultless performance, it is strongly recommended to change the motor. After resetting the message, the internal counter for the motor run time is reset to zero. If the message is not reset, the unit will continue measuring, until 90% of the motor lifetime is reached. Then Failure F17 will come up. | Change brush motor |

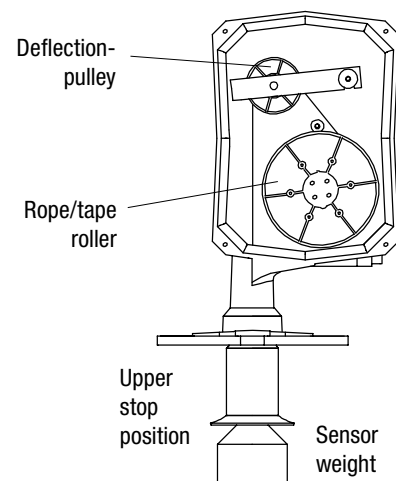
By pushing the START button the actual stated messages shown on the display can be reset.

If more than one message is present, the one with a lower code is shown on the display. After reset with the START button, the next one will be stated.

Possibilities to see a maintenance history: see page G29.

CAUTION

Before removing the rope/tape roller, remount the unit from the silo to avoid, that the sensor weight can fall into the silo.



Diagnostics: Maintenance

Rope/Tape lifetime

The expected life time (measurement cycles) for the rope/tape is:

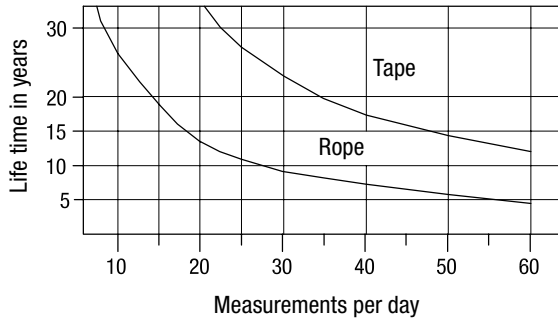
Rope version: approx. 100000
 Tape version: approx. 250000

Note: These values refer to lifetime tests under the following conditions:
 No excessive material influence. The sensor weight meets an inclined surface, so that an oscillating movement of the sensor weight during upwards movement is caused.

The maintenance message is displayed at 70%, the failure message at 90% of the expected lifetime to provide some safety. For further information see message M16 and F16.

See figure on right hand for the operating time depending on the measurement cycles per day.

For applications with adverse conditions it is recommended to change the rope/tape more frequently.



Motor lifetime

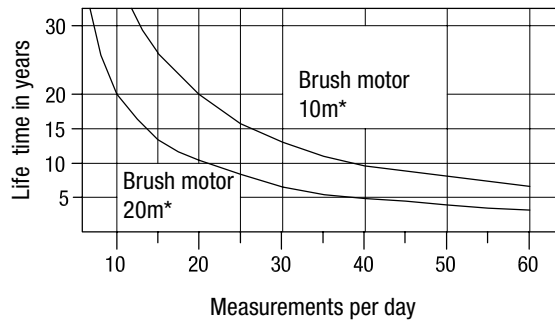
The expected life time (run time) for the motor is:

Version with brushless motor:
 not limited

Version with standard motor:
 approx. 3500 hours.

The maintenance message is displayed at 70%, the failure message at 90% of the expected lifetime to consider some safety. For further informations see message M17 and F17.

See figure on right hand for the operating time depending on the measurement cycles per day.



*average measurement distance

Diagnostics: Failure

Result is an invalid measurement.

Red LED is on. Relay 3 indicates Failure.

The signal indicates critical situations. Evaluating the signal can help to avoid losing the sensor weight inside the silo.

If Failure is indicated, the unit must be checked on site.

| Failure code | Description | Indication | Performance of the device | Solution |
|--------------|---|---|---|---|
| F10 | Motor or motor-driver-electronic defect | Motor does not rotate when it is actuated. Evaluation by the hallsensor on the rope/tape roller. | If possible, the sensor weight will be moved up to the "Upper stop position". | Motor or electronic change. |
| F11 | Sensor weight is buried or jammed | Difference of distance between down and up movement too big. Evaluation by the hallsensor on the rope/tape roller. | Motor moves 4 seconds upwards, then waits 10 seconds. After that motor moves shortly downwards and then upwards again. If the sensor weight is still jammed, this cycle is repeated 5 times. After that the cycle goes on with a delaytime of one hour. | Release the sensor weight. Make sure, that the sensor weight can move freely. |
| F12 | Rope / tape broken | Motor is running but the upper stop position is not reached. Evaluation by the hallsensor on the rope/tape roller on the deflection pulley bar. | Motor moves upwards. If after a certain time the upper stop position is not reached, the motor stops. | Repair of rope/tape break. Check, if rope/tape maintenance was properly done. Check possibility of buried sensor weight. |
| F13 | Rope / tape too short or rope jammed in the rope roller | The deflection pulley and the rope/tape roller move in different directions. Evaluation by the Hall sensors on the pulley and the rope/tape roller. | Motor direction is selected so the sensor weight moves upwards until upper stop position is reached. | Check if the rope/tape is too short compared to the adjusted minimum safety setting. Check if the rope is jammed in the rope roller and wound in the wrong direction. |
| F15 | Not enough current available from DC power supply (DC version only) | Supply voltage drops during function. | Sensor weight is moved to the upper stop position. | Enable enough supply current according to the technical data specification. |
| F16 | Service interval: rope/tape | The amount of measurement cycles is 90% of the rope/tape lifetime. See also maintenance message M16. | The measurement cannot be restarted. | Change rope or tape. |
| F17 | Service interval: brush motor | The actual run time is 90% of the motor lifetime. See also maintenance message M17. | The measurement cannot be restarted. | Change motor. |

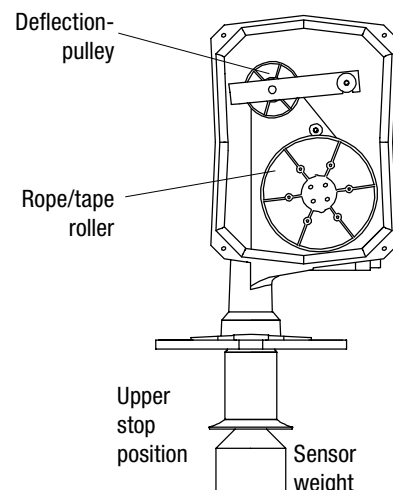
By pushing the START and SETUP button together for 2 seconds, the message shown on the display can be reset.

Possibilities to see a failure history: see page G29.

CAUTION

Resetting F16 or F17 without changing the rope/tape respective the motor will cause material damage by a broken rope/tape.

Before removing the rope/tape roller, remount the unit from the silo to avoid, that the sensor weight can fall into the silo.

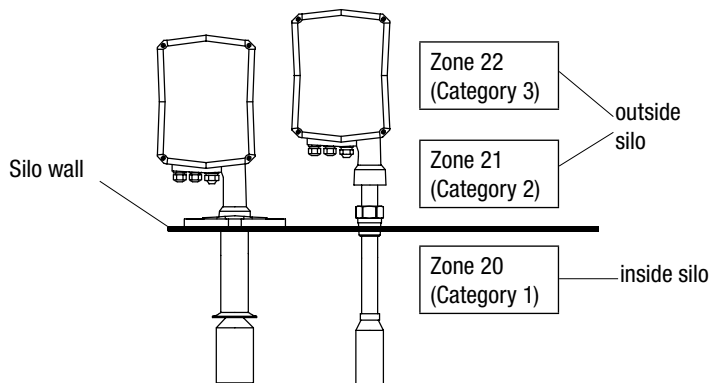


Notes for use in Hazardous Locations

ATEX Zone classification

| Category | useable in zone | |
|----------|-----------------|---|
| 1 D | 20, 21, 22 | * in case of conductive dust, additional requirements for installation are necessary. |
| 2 D | 21, 22 | |
| 3 D* | 22 | |

! Permitted zones (categories) for mounting in partition wall



! General notes

Marking

Devices with Ex-approval are marked on the type plate.

Process pressure for ATEX

The device construction allows process over-pressure up to 0.3bar (4.4psi) (option 1.7bar (25psi)). These pressures are allowed for test purposes. The definition of the ATEX is only valid for a silo-over-pressure between -0.2..+0.1 bar (-2.9..+1.45psi). Outside of these pressures the approval is not valid.

Process and ambient temperature

The permitted temperature ranges are marked on the type plate.

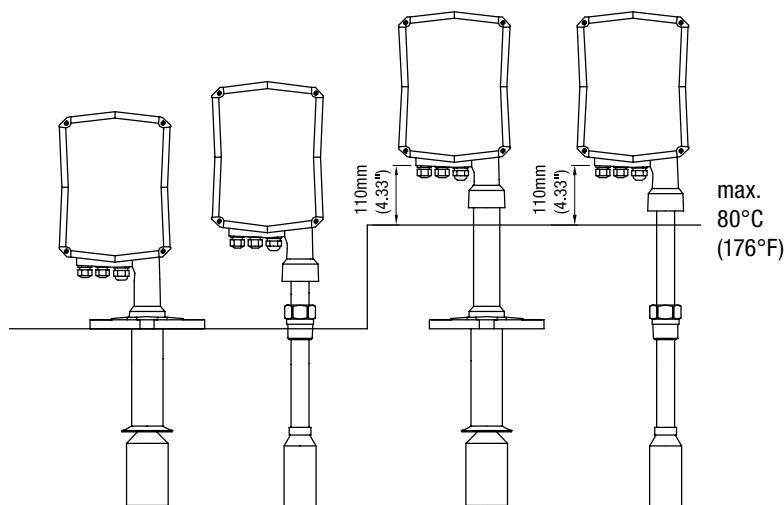
Notes for use in Hazardous Locations

! Maximum Surface Temperature and Temperature Code

The temperature marking on the name plate  refers to the instruction manual. On the following table the relevant temperature ratings are shown.

The maximum surface temperature and the temperature class refer to the warmest area outside on the unit which can occur in failure case (according to EX definition). The data is valid if it can be guaranteed during installation, that the area shown by the line has a maximum temperature of 80°C at normal use.

| Ambient Temperature in Zone 21 | Process-temperature in Zone 20 | Max. Surface Temperature |
|--------------------------------|--------------------------------|--------------------------|
| 40°C (104°F) | 60°C (140°F) | |
| 50°C (122°F) | 70°C (158°F) | |
| 60°C (140°F) | 80°C (176°F) | |
| | 90°C (194°F) | |
| | 100°C (212°F) | |
| | 110°C (230°F) | |
| | 120°C (248°F) | |
| | 130°C (266°F) | |
| | 140°C (284°F) | |
| | 150°C (302°F) | |
| | 160°C (320°F) | |
| | 170°C (338°F) | |
| | 180°C (356°F) | |
| | 190°C (374°F) | |
| | 200°C (392°F) | |
| | 210°C (410°F) | |
| | 220°C (428°F) | |
| | 230°C (446°F) | |
| | 240°C (464°F) | |
| 250°C (482°F) | | |



! Static discharge of the material surface

It must be ensured that no static discharge can occur when the grounded metal sensor weight or rope /tape touches the surface of the bulk material. If this can not be ensured, the safe use of the unit is NOT guaranteed. The responsibility for this rests with the user. In case of inclarity an assessment from a notified body is necessary.

From the manufacturer side a version with a plastic sensor weight and additional plastic rope insulation part is available on request. This keeps a 500mm (19.7") distance from the material surface to the grounded rope/tape.