

VEGAPOINT 11

Transistor

Capacitive level switch



Application area

The VEGAPOINT 11 is a capacitive level sensor for level detection of water-based liquids.

Typical applications are overflow and dry run protection. The small sensor can also be used in thin pipelines.

Your benefit

- Low time and cost expenditure due to simple commissioning
- High plant availability, because wear and maintenance free
- Exact switching function independent of process condition

Function

An alternating electric field is generated at the tip of the measuring electrode. If the sensor is covered with medium, the capacitance of the sensor changes. This change is detected by the electronics and converted into a switching command.

Any buildup is ignored to a certain degree and therefore has no influence on the measurement.

Technical data

Output signal	Transistor output PNP
Process fitting	Thread G $\frac{1}{2}$, G $\frac{3}{4}$, G1, M24 x 1.5 Thread $\frac{1}{2}$ NPT, $\frac{3}{4}$ NPT, 1 NPT Clamp 1", 1 $\frac{1}{2}$ ", 2" Further hygienic fittings
Process pressure	-1 ... 25 bar (-100 ... 2500 kPa/ 14.5 ... 363 psig)
Process temperature	-20 ... +100 °C (-4 ... +212 °F)
Ambient temperature	-40 ... +70 °C (-40 ... +158 °F)
Operating voltage	12 ... 35 V DC

Materials

The wetted parts of the instrument are made of PEEK and stainless steel 316L. The process seal is made of FKM.

You will find a complete overview of the available materials and seals in the "Configurator" at www.vega.com and "Products".

Housing versions

The housing is made of stainless steel 316L or Valox and is available in protection classes IP66/IP67 and up to IP69.

Electronics versions

The device is available in the electronic version transistor output.

Approvals

Hygienic approvals for use in the food and pharmaceutical industries are planned for the device.

The technical data in the respective safety instructions are valid for approved instruments (e.g. with Ex approval). In some cases, these data can differ from the data listed herein.

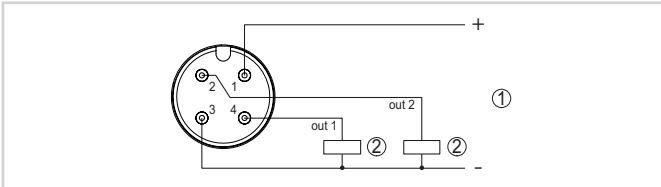
All approval documents can be downloaded from our homepage.

Adjustment

No adjustments on the instrument are necessary. The switching function is determined by the electrical connection.

Electrical connection

M12 x 1 plug



Wiring plan M12 x 1 plug - Transistor output, three-wire

- 1 Voltage supply
- 2 PNP switching

Details on the electrical connection can be found in the operating instructions of the device in the download area on our homepage.

Instrument selection

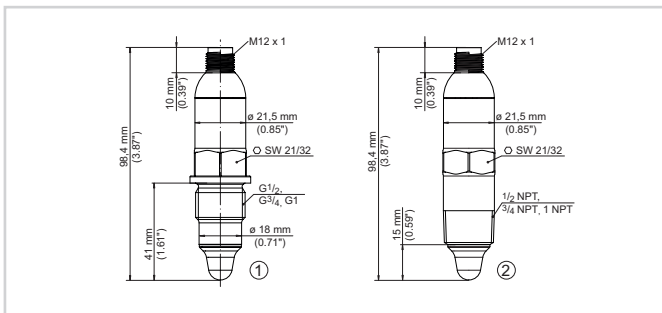
On our homepage under "Products" you can select the suitable measuring principle and instrument for your application.

You can find detailed information on the instrument versions at www.vega.com and "Products".

Contact

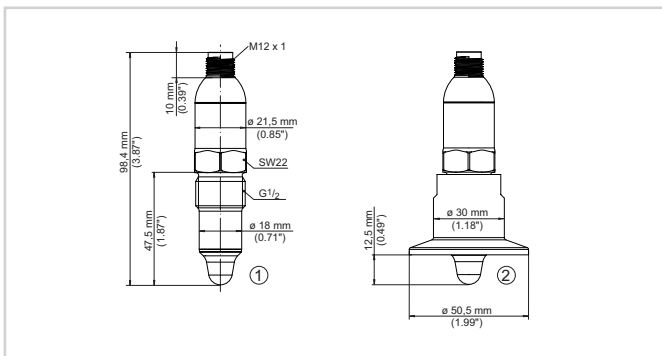
You can find your personal contact person at VEGA on our homepage www.vega.com and "Contact".

Dimensions



VEGAPOINT 11, standard version - thread

- 1 Thread $G\frac{1}{2}$, $G\frac{3}{4}$, $G1$ (DIN ISO 228/1) with M12 x 1 plug connection
- 2 Thread $\frac{1}{2}$ NPT, $\frac{3}{4}$ NPT, 1 NPT with M12 x 1 plug connection



VEGAPOINT 11, hygienic version - Thread

- 1 Thread $G\frac{1}{2}$ for hygienic threaded adapter (DIN ISO 228/1) with M12 x 1 plug connection
- 2 VEGAPOINT 11, hygienic version in threaded adapter, Clamp

Information

You can find further information on the VEGA product line on our homepage.

In the download section on our homepage you'll find free operating instructions, product information, brochures, approval documents, instrument drawings and much, much more.